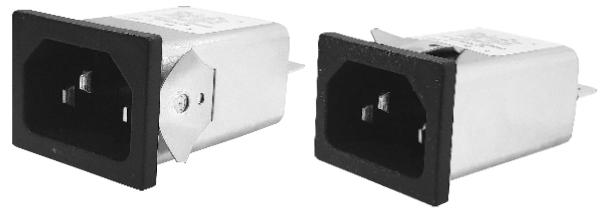


# 080SH(M)/080SVH(M)

MAX PERFORMANCE **SNAP-IN** SINGLE STAGE IEC INLET FILTER  
(GENERAL PURPOSE & MEDICAL)

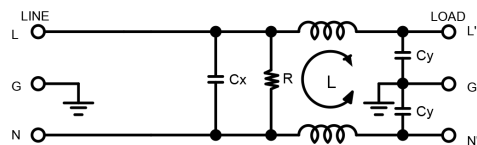
## FEATURES

- » Rated currents include **1A, 3A, 4.5A, 6A, 8A and 10A**
- » Horizontal Mounting Clips (Top & Bottom)
- » Vertical Mounting Clips (Left & Right)
- » Single Stage
- » Available with quick disconnect tabs and wire leads options
- » General Purpose & Low Leakage (M)edical options
- » Agency Approvals *UL and EN 60939, CSA C22.2 (in testing)*
- » Y-cap value can be adjusted

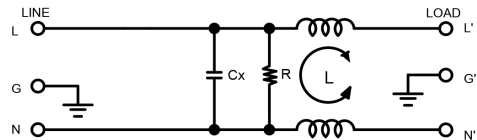


## ELECTRICAL SCHEMATIC

080SH/080SVH

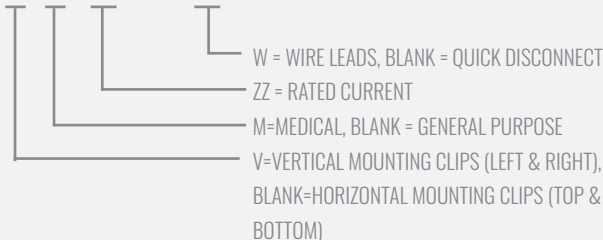


080SHM/080SVHM



## HOW TO ORDER

080SVHM.0ZZ00.00-T



**NOTE:** USE ANY COMBINATOR OF **V, M, ZZ** AND **T**

E.G. **080SH.00100.00** (1A GENERAL PURPOSE VERSION WITH HORIZONTAL MOUNTING CLIPS) | **080SVHM.00300.00** (3A LOW LEAKAGE MEDICAL VERSION WITH VERTICAL MOUNTING CLIPS)

## SPECIFICATIONS

OPERATING FREQUENCY	50/60Hz
IEC INLET	C14
MAX. OPERATING VOLTAGE	250VAC +10%
AMBIENT TEMPERATURE	-25 TO 40°C
CLIMATIC CATEGORY	25/100/21
TERMINALS (-T)	0.25" TABS
	W: WIRE LEADS
TYP. WEIGHT, LBS (KG)	0.10 (0.04)

### TYPICAL LEAKAGE CURRENT 080SH/080SVH

@ 250 VAC 50 Hz	0 - 0.42 mA Max.
@ 120 VAC 60 Hz	0 - 0.23 mA Max.

### TYPICAL LEAKAGE CURRENT 080SHM/080SVHM

@ 250 VAC 50 Hz	0 - 10uA Max.
@ 120 VAC 60 Hz	0 - 5uA Max.

### HIPOT RATINGS

LINE TO GROUND	2250 VDC
----------------	----------

## TYPICAL APPLICATIONS

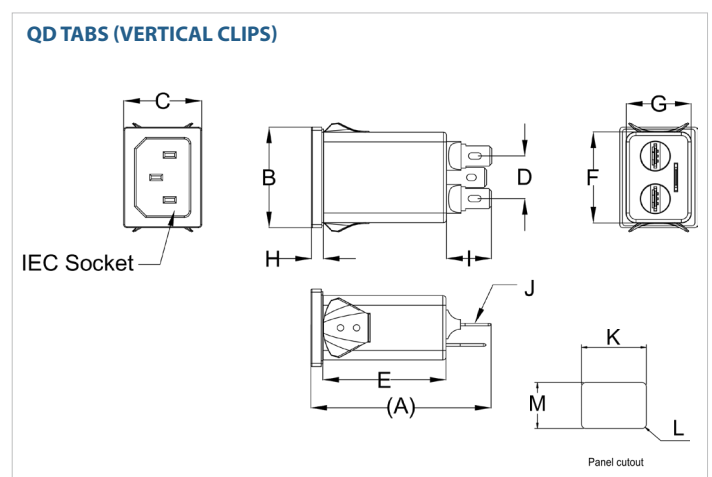
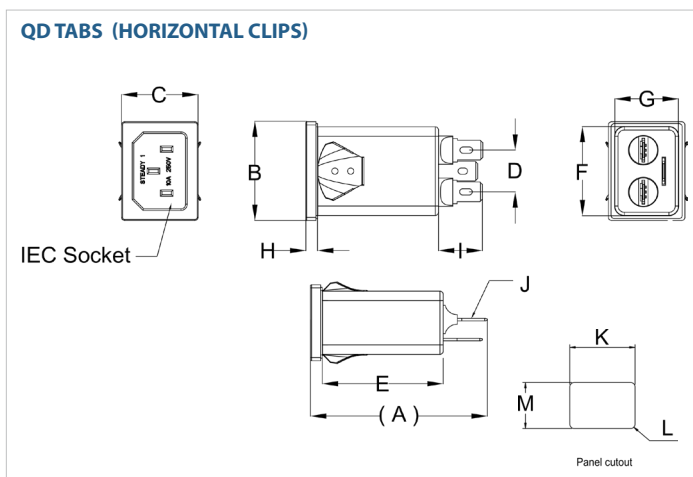
- ✓ Sat-Com Equipment
- ✓ High performance medical equipment
- ✓ IT office automation and electronic equipment
- ✓ Test and measurement/lab equipment
- ✓ Rack mounted equipment

# 080SH(M)/080SVH(M)

MAX PERFORMANCE **SNAP-IN** SINGLE STAGE IEC INLET FILTER  
(GENERAL PURPOSE & MEDICAL)

MODEL NO.	RATED CURRENT, A @ 40° C	TERMINAL OPTIONS		MOUNTING OPTIONS		MAX. DIMENSIONS" (MM)		
		(QD) OUTPUT	(W) OUTPUT	VERTICAL CLIPS	HORIZONTAL CLIPS	WIDTH	(LENGTH)	HEIGHT
080SH(M).00100.00	1	✓	✓		✓	1.22" (31.1)	2.20" (55.94)	0.95" (24.2)
080SH(M).00300.00	3	✓	✓		✓	1.22" (31.1)	2.20" (55.94)	0.95" (24.2)
080SH(M).00400.00	4.5	✓	✓		✓	1.22" (31.1)	2.20" (55.94)	0.95" (24.2)
080SH(M).00600.00	6	✓	✓		✓	1.22" (31.1)	2.20" (55.94)	0.95" (24.2)
080SH(M).00800.00	8	✓	✓		✓	1.22" (31.1)	2.20" (55.94)	0.95" (24.2)
080SH(M).01000.00	10	✓	✓		✓	1.22" (31.1)	2.20" (55.94)	0.95" (24.2)
080SVH(M).00100.00	1	✓	✓	✓		1.22" (31.1)	2.20" (55.95)	0.95" (24.2)
080SVH(M).00300.00	3	✓	✓	✓		1.22" (31.1)	2.20" (55.95)	0.95" (24.2)
080SVH(M).00400.00	4.5	✓	✓	✓		1.22" (31.1)	2.20" (55.95)	0.95" (24.2)
080SVH(M).00600.00	6	✓	✓	✓		1.22" (31.1)	2.20" (55.95)	0.95" (24.2)
080SVH(M).00800.00	8	✓	✓	✓		1.22" (31.1)	2.20" (55.95)	0.95" (24.2)
080SVH(M).01000.00	10	✓	✓	✓		1.22" (31.1)	2.20" (55.95)	0.95" (24.2)

## 080SH(M)/080SVH(M) MECHANICAL OUTLINES (MM)



# 080SH(M)/080SVH(M)

MAX PERFORMANCE **SNAP-IN** SINGLE STAGE IEC INLET FILTER  
(GENERAL PURPOSE & MEDICAL)

SERIES	(A)	B	C	D	E	F	G	H	I	J	K	L	M
<b>QD TABS (H) (1-10A)</b>	2.20" (55.94)	1.22" (31.1)	0.95" (24.2)	0.52" (13.3)	1.51" (38.25)	1.11" (28.2)	0.79" (20.1)	0.15" (3.7)	0.55" (13.9)	6.3*0.8 Terminal	1.12" (28.50)	(R≤1.5)	0.86" (21.9)
<b>QD TABS (V) (1-10A)</b>	2.20" (56)	1.22" (31.1)	0.95" (24.2)	0.52" (13.3)	1.51" (38.25)	1.11" (28.2)	0.79" (20.1)	0.15" (3.7)	0.55" (14)	6.3*0.8 Terminal	1.16" (29.4)	(R≤1.5)	0.82" (20.8)

TYPICAL TOLERANCE: +/-0.02" (0.50MM)

## TYPICAL INSERTION LOSS, dB (50/50 Ohm)

### 080SH / 080SVH INSERTION LOSS

Amps	Freq (MHz)	0.15	0.5	1	10	30
<b>1</b>	CM (dB)	45.46	48.31	46.28	44.54	43.02
	DM (dB)	12.96	26.53	36.16	69.95	62.86
<b>3</b>	CM (dB)	33.27	38.89	43.67	51.23	51.34
	DM (dB)	12.71	23.37	28.82	63.41	50.35
<b>4.5</b>	CM (dB)	30.01	35.21	39.63	58.08	60.33
	DM (dB)	12.86	23.38	29.41	63.86	50.37
<b>6</b>	CM (dB)	24.18	29.08	33.32	58.31	59.73
	DM (dB)	12.74	23.38	28.73	67.7	51.14
<b>8</b>	CM (dB)	18.36	23.12	27.26	51.5	61.56
	DM (dB)	12.8	23.52	29.16	52.79	51.61
<b>10</b>	CM (dB)	11.87	15.88	19.71	44.33	56.27
	DM (dB)	12.72	23.44	29.11	46.62	51.38

# 080SH(M)/080SVH(M)

MAX PERFORMANCE **SNAP-IN** SINGLE STAGE IEC INLET FILTER  
(GENERAL PURPOSE & MEDICAL)

## TYPICAL INSERTION LOSS, dB (50/50 Ohm)

### 080SHM / 080SVHM INSERTION LOSS

Amps	Freq (MHz)	0.15	0.5	1	10	30
1	CM (dB)	45.08	46.28	41.35	18.78	3.01
	DM (dB)	13.16	27	36.8	72.7	58.4
3	CM (dB)	32.93	36.98	39.07	26.32	11.1
	DM (dB)	12.64	24.1	31.03	53.23	50.57
4.5	CM (dB)	29.62	33.26	35.05	32.37	16.74
	DM (dB)	12.77	23.9	30.3	50.4	45.6
6	CM (dB)	23.78	27.2	28.9	32.8	23.5
	DM (dB)	12.67	23.71	29.88	41.98	37.28
8	CM (dB)	18.02	21.24	22.73	26.22	21.64
	DM (dB)	12.67	23.57	29.66	36.94	31.31
10	CM (dB)	11.55	14.35	15.73	19.07	15.24
	DM (dB)	12.6	23.41	29.29	38.03	30.43