

# LCR 082M-RSI

Low Leakage Filtered Power Entry Modules with Fuse Holder and **Red Illuminated** Switch (Medical)



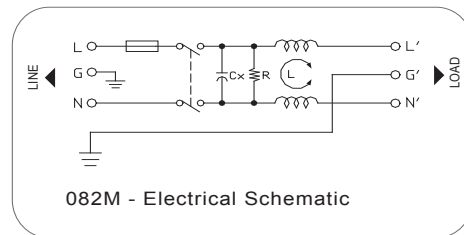
## Features

Low leakage current, compact Integrated power entry module with safety fuse and **red illuminated** on/off switch. Easy to use and install with QD tabs or solder terminals. Fuse not included.

## Typical Applications

Medical electronic equipment where a compact and low leakage current are required.

## Electrical Schematic



## Specifications

Rated Voltage Max. (V)	120/250 VAC
Rated Current (A)	1-10 A @ 40° C
Operating Frequency (Hz)	50/60 Hz
Hipot Rating	
Line to Line	1450 VDC
Line to Ground	2250 VDC
Case	Plated Steel
Packaging Quantity	90 Pcs per Carton

Leakage Current	
@ 250 VAC 50 Hz	10 µA Max.
@ 115 VAC 60 Hz	5 µA Max.
IP Class	IP 51
Climatic Category (EN-60068-1)	25/85/21

Model No. *	Rated Current (A) @ 40° C	Mechanical Diagram	Unit Weight (g)	Terminal Options	
				In	Out
082M.00101.00-RSI	1	A	92	IEC Inlet Socket	QD 6.35*0.8
082M.00301.00-RSI	3	A	93	IEC Inlet Socket	QD 6.35*0.8
082M.00302.00-RSI	3	B	93	IEC Inlet Socket	QD 4.8*0.8
082M.00601.00-RSI	6	A	94	IEC Inlet Socket	QD 6.35*0.8
082M.01001.00-RSI	10	A	100	IEC Inlet Socket	QD 6.35*0.8

\* Out internal part number may vary

Specifications are subject to change. Consult factory to verify specifications.

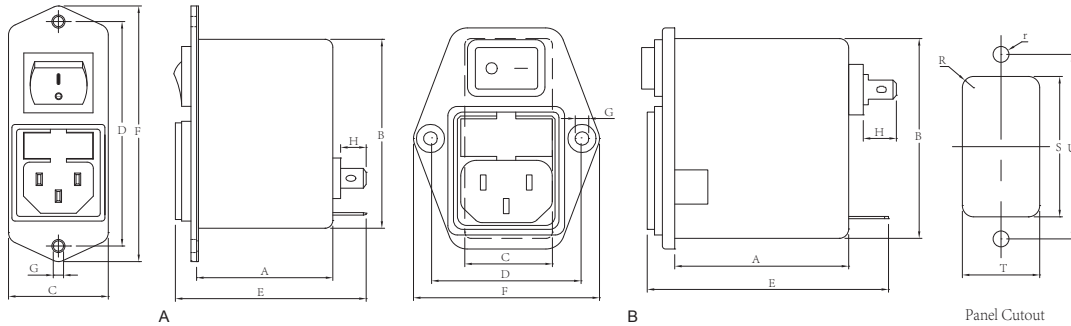
Contact Astrodyne TDI (Radius Power, LCR, & Filter Concepts): (908) 850-5088 or [EMfiltersales@astrodynetdi.com](mailto:EMfiltersales@astrodynetdi.com)

# LCR 082M-RSI

Low Leakage Filtered Power Entry Modules with Fuse Holder and **Red** Illuminated Switch (Medical)



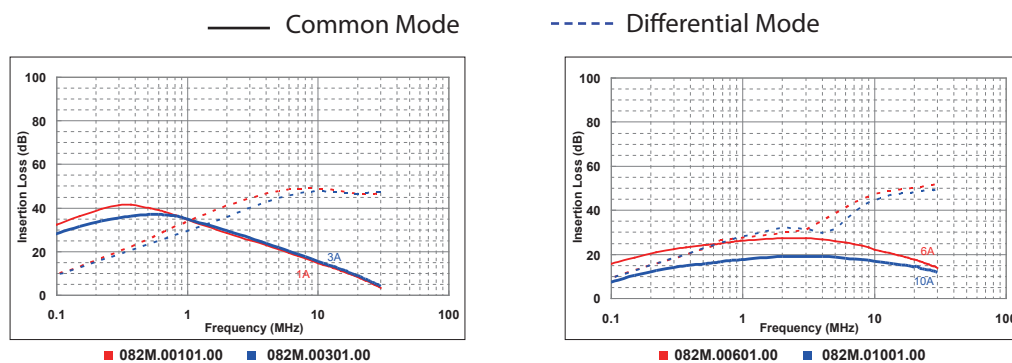
## LCR 082M-RSI Mechanical Outlines



## LCR 082M-RSI Mechanical Dimensions

Model No.	A	B	C	D	E	F	G	H	R	S	T	U	r
082M.00101.00-RSI	43.7	60.6	32	72	61	82	2*Φ4.0	8.8	2.5	61	30.0	72	2.1
082M.00301.00-RSI	43.7	60.6	32	72	61	82	2*Φ4.0	8.8	2.5	61	30.0	72	2.1
082M.00302.00-RSI	46.0	53.0	29	40	61	55	2*Φ3.2	8.5	2.5	56	29.5	40	1.6
082M.00601.00-RSI	43.7	60.6	32	72	61	82	2*Φ4.0	8.8	2.5	61	30.0	72	2.1
082M.01001.00-RSI	43.7	60.6	32	72	61	82	2*Φ4.0	8.8	2.5	61	30.0	72	2.1

## LCR 082M-RSI Insertion Loss in dB Measured in a 50 Ω System



Specifications are subject to change. Consult factory to verify specifications.

Contact Astrodyne TDI (Radius Power, LCR, & Filter Concepts): (908) 850-5088 or [EMfiltersales@astrodynetdi.com](mailto:EMfiltersales@astrodynetdi.com)