

LCR 059

MRI Room and Shielded Enclosure Filters



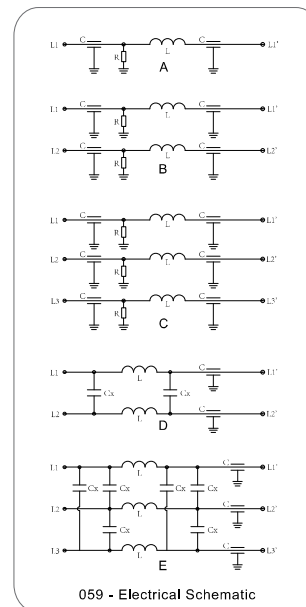
Features

Designed for use in MRI shielded rooms and enclosures. Provides high attenuation (100dB) from 5 MHz to 10 GHz. Sealed construction with removable shielded cover for input connections through knock-outs and threaded conduit pipe for output connections via flexible cable. Each unit comes with a user manual and full hardware kit for easy installation.

Typical Applications

Shielded rooms and facilities, shielded enclosures, secured communication areas, EMC test laboratories, anechoic chambers, MRI screened facilities and other shielded facilities and applications.

Electrical Schematic



Specifications

Rated Voltage (V)	120/277 VAC Line to Ground
Rated Current (A)	Up to 50 A @ 60°C
Over Load (% of Rated Current)	150%/10 minutes
Operating Frequency (Hz)	50/60 Hz
Hipot Rating	Per UL 1283
Voltage Drop at Rated Current	<1%
Case	Plated steel

Operating Temperature	From -40 to 85°C
Output Cables (Load Side)	UL 1015
Leakage Current (L-GND)	
@ 277 VAC/60 Hz (Schematic A,B,C)	<50 mA
@ 277 VAC/60 Hz (Schematic D,E)	<5 mA
Attenuation (Common Mode)	>100 dB(5 MHz to 10 GHz)
Climatic Category (EN60068-1)	25/85/21
IP Class	IP65

Specifications are subject to change. Consult factory to verify specifications.

For more information on our filter products call us at: (800) 527-4362 or (714) 289-0055
LCR, Radius Power, and Filter Concepts are now part of Astrodyne TDI

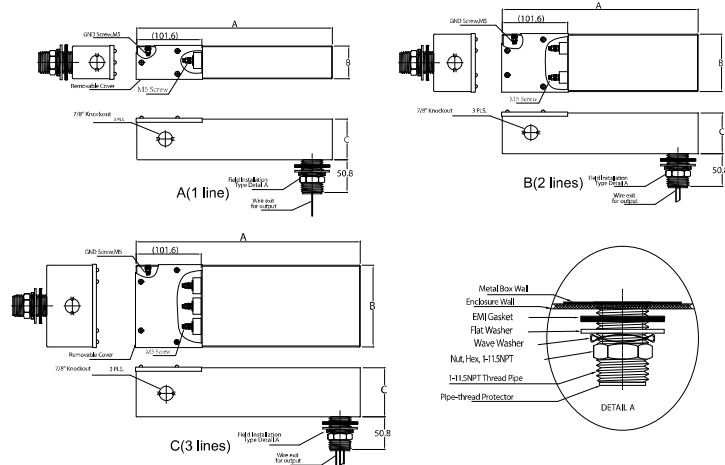
LCR 059

MRI Room and Shielded Enclosure Filters

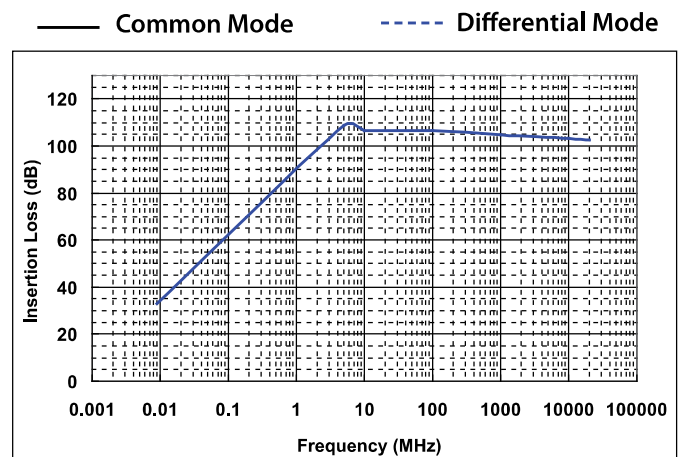


Model No.	Rated Current (A) @ 40°C	Number of Lines	Schematic	Mechanical Outlines	Terminal Options		Mechanical Dimension			
					In	Out	A (mm)	B (mm)	C (mm)	D (mm)
059.00101.00	1	1	A	A	Knock-Out Shielded Screw Type-M5	NPT Threaded Pipe- wire exit	305	50	64	1-11.5NPT
059.00501.00	5				Knock-Out Shielded Screw Type-M5	NPT Threaded Pipe- wire exit	305	50	64	1-11.5NPT
059.01001.00	10				Knock-Out Shielded Screw Type-M5	NPT Threaded Pipe- wire exit	305	50	64	1-11.5NPT
059.01501.00	15				Knock-Out Shielded Screw Type-M5	NPT Threaded Pipe- wire exit	305	50	64	1-11.5NPT
059.03001.00	30				Knock-Out Shielded Screw Type-M5	NPT Threaded Pipe- wire exit	305	50	64	1-11.5NPT
059.05001.00	50				Knock-Out Shielded Screw Type-M5	NPT Threaded Pipe- wire exit	305	50	64	1-11.5NPT
059.00102.00	1	2	B/D	B	Knock-Out Shielded Screw Type-M5	NPT Threaded Pipe- wire exit	305	89	64	1-11.5NPT
059.00502.00	5				Knock-Out Shielded Screw Type-M5	NPT Threaded Pipe- wire exit	305	89	64	1-11.5NPT
059.01002.00	10				Knock-Out Shielded Screw Type-M5	NPT Threaded Pipe- wire exit	305	89	64	1-11.5NPT
059.01502.00	15				Knock-Out Shielded Screw Type-M5	NPT Threaded Pipe- wire exit	305	89	64	1-11.5NPT
059.03002.00	30				Knock-Out Shielded Screw Type-M5	NPT Threaded Pipe- wire exit	350	102	76	1-11.5NPT
059.05002.00	50				Knock-Out Shielded Screw Type-M5	NPT Threaded Pipe- wire exit	350	127	76	1-11.5NPT
059.00103.00	1	3	C/E	C	Knock-Out Shielded Screw Type-M5	NPT Threaded Pipe- wire exit	305	127	64	1-11.5NPT
059.00503.00	5				Knock-Out Shielded Screw Type-M5	NPT Threaded Pipe- wire exit	305	127	64	1-11.5NPT
059.01003.00	10				Knock-Out Shielded Screw Type-M5	NPT Threaded Pipe- wire exit	305	127	64	1-11.5NPT
059.01503.00	15				Knock-Out Shielded Screw Type-M5	NPT Threaded Pipe- wire exit	350	127	76	1-11.5NPT
059.03003.00	30				Knock-Out Shielded Screw Type-M5	NPT Threaded Pipe- wire exit	350	152	76	1-11.5NPT
059.05003.00	50				Knock-Out Shielded Screw Type-M5	NPT Threaded Pipe- wire exit	350	172	76	1-11.5NPT

LCR 059 Mechanical Outlines



LCR 059 Insertion Loss in dB Measured in a 50 Ω System



Specifications are subject to change. Consult factory to verify specifications.

For more information on our filter products call us at: (800) 527-4362 or (714) 289-0055
LCR, Radius Power, and Filter Concepts are now part of Astrodyne TDI