

# RP110 Series

## Compact Single Stage Power Line Filters



### 3A to 30 A Chassis Mount Filter

#### Specifications

Operating Frequency	50/60 Hz
Usable Frequency	DC - 400 Hz
Max. Operating Voltage*	250 V +10%
Ambient Temperature	-25 to 40°C
Climatic Category	25/100/21
Hipot Rating (L-G)	2700 VDC
Terminals (-T)	QD: 0.25 Tabs S: 30A (M4)
Safety Approvals	cURus, EN60939
Typ. Weight, lbs (kg)	0.4 (0.2)

\*Available up to 300 VAC. Please contact us to verify specifications.

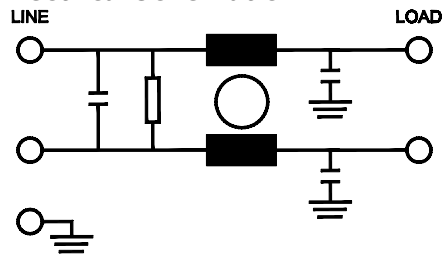
#### Part Number/Ordering

RP110	-X (Amps)	-Y (Ycap, nF)	-T
	3	0	QD
	6	0.47	QD
	10	1	QD
	20	2.2	QD
	30	4.7	S
		10	

**Note:** Use any combination of -Y with any -X (Amps) rating  
e.g. RP110-3-2.2-QD (3 Amps with 2.2 nF Ycap)



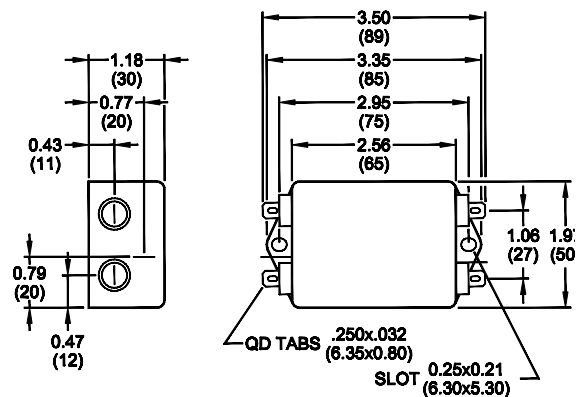
#### Electrical Schematic



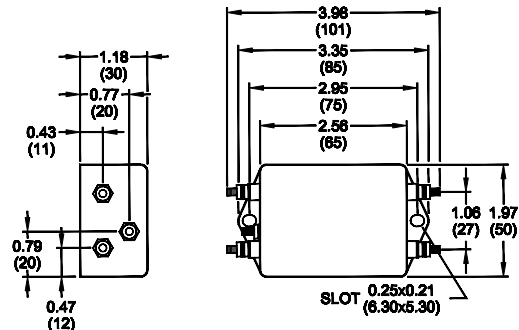
#### Mechanical Dimensions

TYPICAL TOLERANCE: +/-0.02" (0.50 mm)

##### 3/6/10/20A



##### 30A



Specifications are subject to change. Consult factory to verify specifications.

For more information on our filter products call us at: +1.908.850.5088 or Toll Free at +1.866.641.3310

LCR, Radius Power, and Filter Concepts are now part of Astrodyne TDI

[www.AstrodyneTDI.com](http://www.AstrodyneTDI.com)

# RP110 Series

## Compact Single Stage Power Line Filters



### 3 A to 30 A Chassis Mount Filter

#### Typical Insertion Loss, dB (50/50 Ohm)

Freq (MHz)	0.15	0.5	1.0	10	30
<b>3 Amp</b>					
CM(dB)	48	45	40	40	40
DM(dB)	30	48	60	55	55
<b>6 Amp</b>					
CM(dB)	40	40	40	40	40
DM(dB)	28	40	50	70	60
<b>10 Amp</b>					
CM(dB)	28	40	40	40	34
DM(dB)	28	40	54	70	66
<b>20 Amp</b>					
CM(dB)	15	24	30	54	54
DM(dB)	28	38	50	54	70
<b>30 Amp</b>					
CM(dB)	13	22	30	52	50
DM(dB)	20	32	50	55	60

#### Leakage Current

Y-cap, nF	mA, 120 V/60 Hz	mA, 250 V/60 Hz
0	0.0	0.0
0.47	0.04	0.08
1	0.09	0.18
2.2	0.2	0.4
4.7	0.4	0.8
10	0.9	1.8

Specifications are subject to change. Consult factory to verify specifications.

For more information on our filter products call us at: +1.908.850.5088 or Toll Free at +1.866.641.3310

LCR, Radius Power, and Filter Concepts are now part of Astrodyne TDI

[www.AstrodyneTDI.com](http://www.AstrodyneTDI.com)