

RP180 Series

IEC Inlet Single Stage Power Line Filters



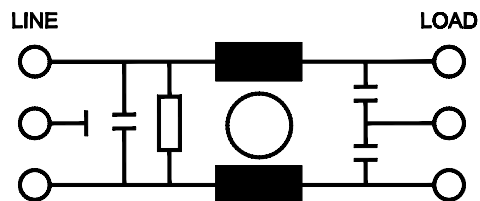
15 A to 20 A

Specifications

Operating Frequency	50/60 Hz
Max. Operating Voltage	250 V +10%
Ambient Temperature	-25 to 40°C
Climatic Category	25/100/21
Hipot Rating (L-G)	2121 VDC
Plastic Mtg Force	18 lbs
Terminals (-T)	QD: 0.25 Tabs
Safety Approvals	cURus, EN60939
Typ. Weight, lbs (kg)	0.2 (0.1)



Electrical Schematic



Part Number/Ordering

RP180	-X (Amps)	-Y (Ycap, nF)	-T
	15	0	QD
	20	0.47	
		1	
		2.2	
		4.7	

Note: Use any combination of -Y with any -X (Amps) rating
e.g. RP180-15-2.2-QD (15 Amps with 2.2 nF Ycap)

Leakage Current

Y-cap, nF	mA, 120 V/60 Hz	mA, 250 V/60 Hz
0	0.0	0.0
0.47	0.04	0.08
1	0.09	0.18
2.2	0.2	0.4
4.7	0.4	0.8

Specifications are subject to change. Consult factory to verify specifications.

For more information on our filter products call us at: +1.908.850.5088 or Toll Free at +1.866.641.3310

LCR, Radius Power, and Filter Concepts are now part of Astrodyne TDI

www.AstrodyneTDI.com

RP180 Series

IEC Inlet Single Stage Power Line Filters



15 A to 20 A

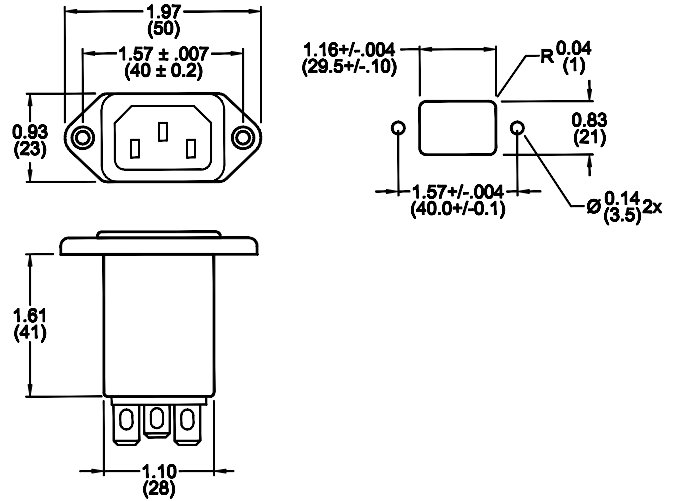
Typical Insertion Loss, dB (50/50 Ohm)

Freq (MHz)	0.15	0.5	1.0	10	30
15 Amp					
CM(dB)	8	18	26	45	50
DM(dB)	10	18	22	50	50
20 Amp					
CM(dB)	10	20	26	45	55
DM(dB)	14	24	30	55	55

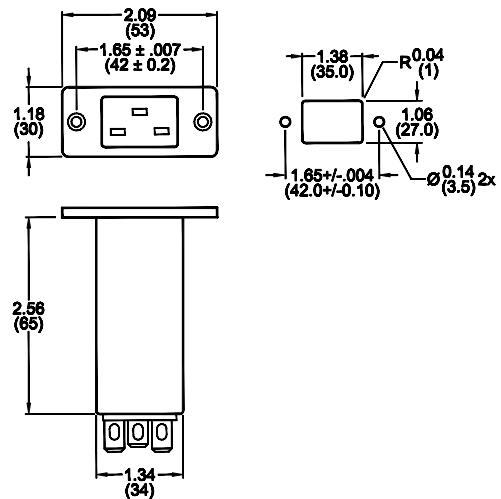
Mechanical Dimensions

TYPICAL TOLERANCE: +/-0.02" (0.50 mm)

15 Amp



20 Amp



Specifications are subject to change. Consult factory to verify specifications.

For more information on our filter products call us at: +1.908.850.5088 or Toll Free at +1.866.641.3310

LCR, Radius Power, and Filter Concepts are now part of Astrodyne TDI