

RP185 Series

High Performance IEC Inlet Single Stage Power Line Filters



1 A to 15 A

Specifications

Operating Frequency	50/60 Hz
Max. Operating Voltage	250 V +10%
Ambient Temperature	-25 to 40°C
Climatic Category	25/100/21
Hipot Rating (L-G)	2121 VDC
Plastic Mtg Force	18 lbs
Terminals (-T)	QD: 0.25 Tabs
Safety Approvals	CSA, UR, EN60939
Typ. Weight, lbs (kg)	0.2 (0.1)

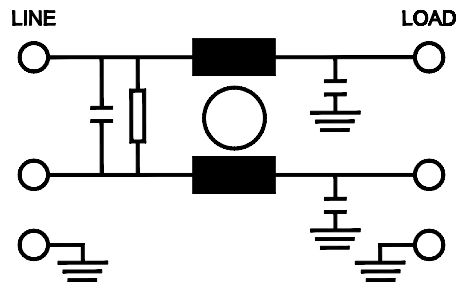


Part Number/Ordering

RP185	-X (Amps)	-Y (Ycap, nF)	-T
	1	0	QD
	3	0.47	
	6	1	
	10	2.2	
	15	4.7	

Note: Use any combination of -Y with any -X (Amps) rating
e.g. RP185-15-.47-QD (15 Amps with .47 nF Ycap)

Electrical Schematic



Leakage Current

Y-cap, nF	mA, 120 V/60 Hz	mA, 250 V/60 Hz
0	0.0	0.0
0.47	0.04	0.08
1	0.09	0.18
2.2	0.2	0.4
4.7	0.4	0.8

Specifications are subject to change. Consult factory to verify specifications.

For more information on our filter products call us at: +1.908.850.5088 or Toll Free at +1.866.641.3310

LCR, Radius Power, and Filter Concepts are now part of Astrodyne TDI

www.AstrodyneTDI.com

RP185 Series

High Performance IEC Inlet Single Stage Power Line Filters



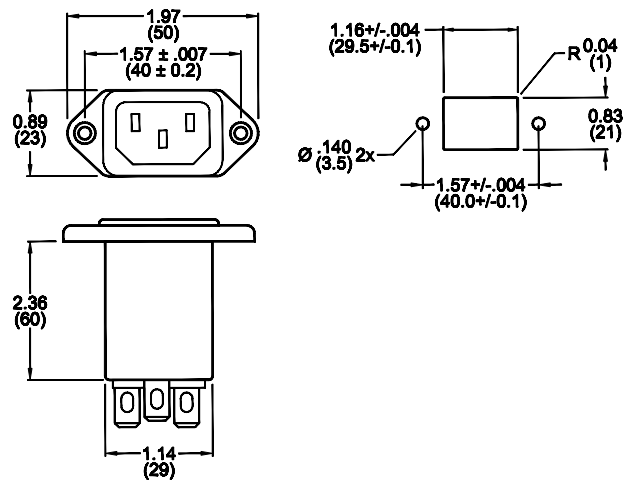
1 A to 15 A

Typical Insertion Loss, dB (50/50 Ohm)

Freq (MHz)	0.15	0.5	1.0	10	30
1 Amp					
CM(dB)	46	55	55	55	50
DM(dB)	22	38	60	60	50
3 Amp					
CM(dB)	36	50	55	55	50
DM(dB)	22	35	50	60	60
6 Amp					
CM(dB)	22	35	42	55	60
DM(dB)	20	32	40	50	55
10 Amp					
CM(dB)	20	32	28	55	55
DM(dB)	20	32	40	58	60
15 Amp					
CM(dB)	14	22	30	50	58
DM(dB)	15	32	40	54	70

Mechanical Dimensions

TYPICAL TOLERANCE: +/-0.02" (0.50 mm)



Specifications are subject to change. Consult factory to verify specifications.

For more information on our filter products call us at: +1.908.850.5088 or Toll Free at +1.866.641.3310

LCR, Radius Power, and Filter Concepts are now part of Astrodyne TDI

www.AstrodyneTDI.com