

# RP185 Series

## High Performance IEC Inlet Single Stage Power Line Filters



### 1 A to 15 A Power Entry Filters

#### Specifications

Operating Frequency	50/60 Hz
Max. Operating Voltage	250 V +10%
Ambient Temperature	-25 to 40°C
Climatic Category	25/100/21
Hipot Rating (L-G)	2121 VDC
Plastic Mtg Force	18 lbs
Terminals (-T)	QD: 0.25 Tabs
Safety Approvals	CSA, UR, EN60939
Typ. Weight, lbs (kg)	0.2 (0.1)

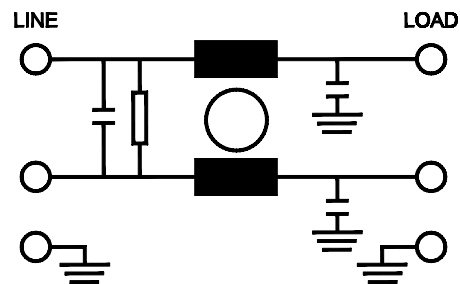


#### Part Number/Ordering

RP185	-X (Amps)	-Y (Ycap, nF)	-T
	1	0	QD
	3	0.47	
	6	1	
	10	2.2	
	15	4.7	

**Note:** Use any combination of -Y with any -X (Amps) rating  
e.g. RP185-15-0.47-QD (15 Amps with 0.47 nF Ycap)

#### Electrical Schematic



#### Leakage Current

Y-cap, nF	mA, 120 V/60 Hz	mA, 250 V/60 Hz
0	0.0	0.0
0.47	0.04	0.08
1	0.09	0.18
2.2	0.2	0.4
4.7	0.4	0.8

Specifications are subject to change. Consult factory to verify specifications.

For more information on our filter products call us at: +1.908.850.5088 or Toll Free at +1.866.641.3310

LCR, Radius Power, and Filter Concepts are now part of Astrodyne TDI

[www.AstrodyneTDI.com](http://www.AstrodyneTDI.com)

# RP185 Series

## High Performance IEC Inlet Single Stage Power Line Filters



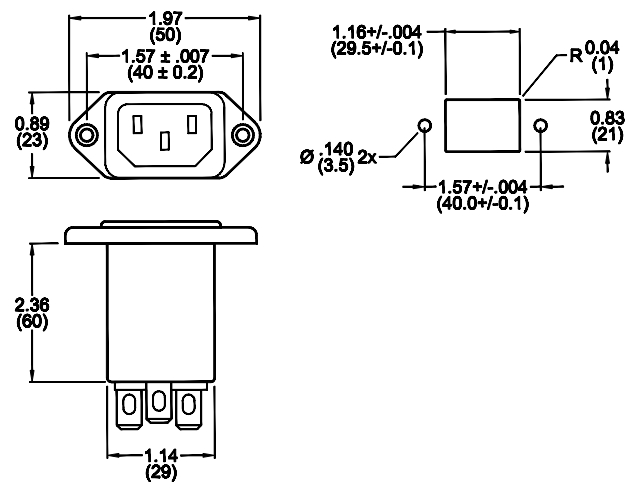
### 1 A to 15 A Power Entry Filters

#### Typical Insertion Loss, dB (50/50 Ohm)

Freq (MHz)	0.15	0.5	1.0	10	30
<b>1 Amp</b>					
CM(dB)	46	55	55	55	50
DM(dB)	22	38	60	60	50
<b>3 Amp</b>					
CM(dB)	36	50	55	55	50
DM(dB)	22	35	50	60	60
<b>6 Amp</b>					
CM(dB)	22	35	42	55	60
DM(dB)	20	32	40	50	55
<b>10 Amp</b>					
CM(dB)	20	32	28	55	55
DM(dB)	20	32	40	58	60
<b>15 Amp</b>					
CM(dB)	14	22	30	50	58
DM(dB)	15	32	40	54	70

#### Mechanical Dimensions

TYPICAL TOLERANCE: +/-0.02" (0.50 mm)



Specifications are subject to change. Consult factory to verify specifications.

For more information on our filter products call us at: +1.908.850.5088 or Toll Free at +1.866.641.3310

LCR, Radius Power, and Filter Concepts are now part of Astrodyne TDI

[www.AstrodyneTDI.com](http://www.AstrodyneTDI.com)