

RP210 Series

Compact Dual Stage Power Line Filters



3 A to 16 A Chassis Mount Filter

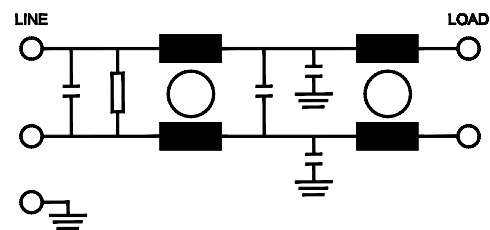
Specifications

Operating Frequency	50/60 Hz
Usable Frequency	DC - 400 Hz
Max. Operating Voltage*	250 V +10%
Ambient Temperature	-25 to 40°C
Climatic Category	25/100/21
Hipot Rating (L-G)	2700 VDC
Terminals (-T)	QD: 0.25 Tab
Safety Approvals	cURus, EN60939

*Available up to 300 VAC. Please contact us to verify specifications.



Electrical Schematic



Part Number/Ordering

RP210	-X (Amps)	-Y (Ycap, nF)	-T	Typ. Weight, lbs (kg)
	3	0	QD	0.4 (0.2)
	6	0.47		0.4 (0.2)
	10	1		0.4 (0.2)
	16	2.2		0.5 (0.2)
		4.7		
		10		

Note: Use any combination of -Y with any -X (Amps) rating
e.g. RP210-6-4.7-QD (6 Amps with 4.7 nF Ycap)

RP210 Series

Compact Dual Stage Power Line Filters



3 A to 16 A Chassis Mount Filter

Typical Insertion Loss, dB (50/50 Ohm)

Freq (MHz)	0.15	0.5	1.0	10	30
3 Amp					
CM(dB)	40	50	50	45	40
DM(dB)	15	26	45	50	50
6 Amp					
CM(dB)	30	42	50	55	35
DM(dB)	18	30	40	55	50
10 Amp					
CM(dB)	20	30	36	55	40
DM(dB)	15	26	32	55	40
16 Amp					
CM(dB)	18	25	40	55	45
DM(dB)	15	25	40	65	50

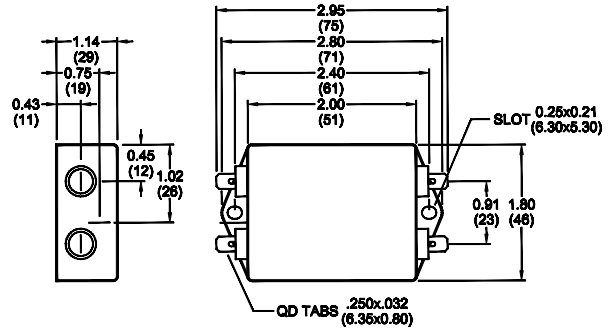
Leakage Current

Y-cap, nF	mA, 120 V/60 Hz	mA, 250 V/60 Hz
0	0.0	0.0
0.47	0.04	0.08
1	0.09	0.18
2.2	0.2	0.4
4.7	0.4	0.8
10	0.9	1.8

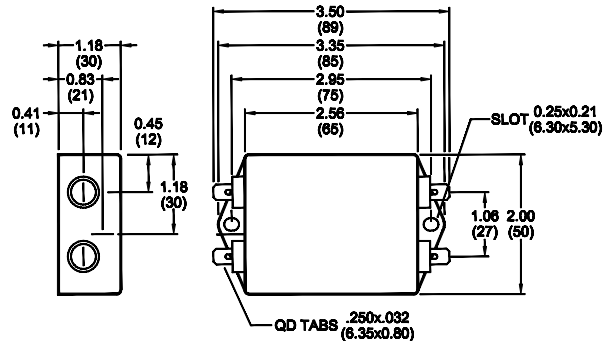
Mechanical Dimensions

TYPICAL TOLERANCE: +/-0.02" (0.50 mm)

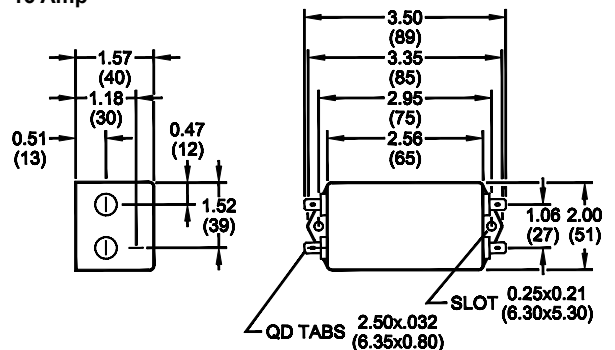
3/6 Amp



10 Amp



16 Amp



Specifications are subject to change. Consult factory to verify specifications.

For more information on our filter products call us at: (800) 527-4362 or (714) 289-0055
 LCR, Radius Power, and Filter Concepts are now part of Astrodyne TDI