

# RP350 Series

## 3-Phase Delta Single Stage Power Line Filters



20 A to 100 A

### Specifications

Operating Frequency	50/60 Hz
Usable Frequency	DC - 400 Hz
Max. Operating Voltage	480 V +10%
Ambient Temperature	-25 to 50°C
Climatic Category	25/100/21
Hipot Rating (L-G)	3500 VDC
Terminals (-T)	S: 20/40/60 A (M5) 80/100 A (M6)
Safety Approvals	UR, CSA, EN60939
Typ. Weight, lbs (kg)	5.0 (2.3)

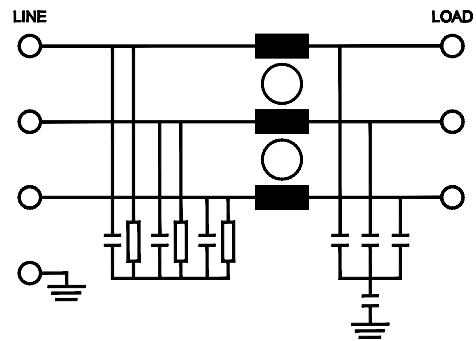


### Part Number/Ordering

RP350	-X (Amps)	-Y (Ycap, nF)	-T
	20	0	S
	40	10	
	60	100	
	80	1000	
	100	2000	

**Note:** Use any combination of -Y with any -X (Amps) rating  
e.g. RP350-40-10-S (40 Amps with 10 nF Ycap)

### Electrical Schematic



### Leakage Current

Y-cap, nF	mA, 480 V/60 Hz
0	0.0
10	0.1
100	1.0
1000	10.0
2000	20.0

Specifications are subject to change. Consult factory to verify specifications.

For more information on our filter products call us at: +1.908.850.5088 or Toll Free at +1.866.641.3310

LCR, Radius Power, and Filter Concepts are now part of Astrodyne TDI

[www.AstrodyneTDI.com](http://www.AstrodyneTDI.com)

# RP350 Series

## 3-Phase Delta Single Stage Power Line Filters



### 20 A to 100 A

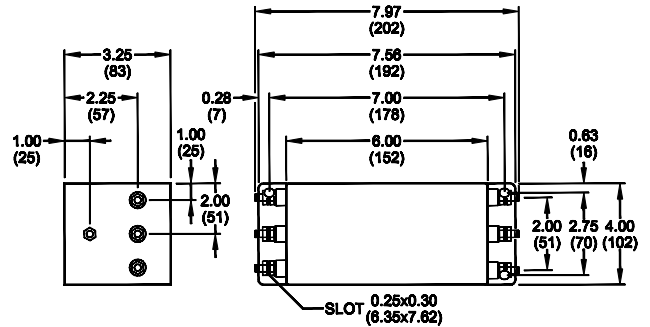
#### Typical Insertion Loss, dB (50/50 Ohm)

Freq (MHz)	0.15	0.5	1.0	10	30
<b>20 Amp</b>					
CM(dB)	60	70	65	60	40
DM(dB)	55	70	70	70	60
<b>40 Amp</b>					
CM(dB)	45	55	55	50	40
DM(dB)	46	65	70	70	60
<b>60 Amp</b>					
CM(dB)	42	52	55	50	40
DM(dB)	40	60	65	65	60
<b>80 Amp</b>					
CM(dB)	36	50	50	48	40
DM(dB)	36	55	55	58	50
<b>100 Amp</b>					
CM(dB)	30	48	50	46	35
DM(dB)	30	50	50	45	45

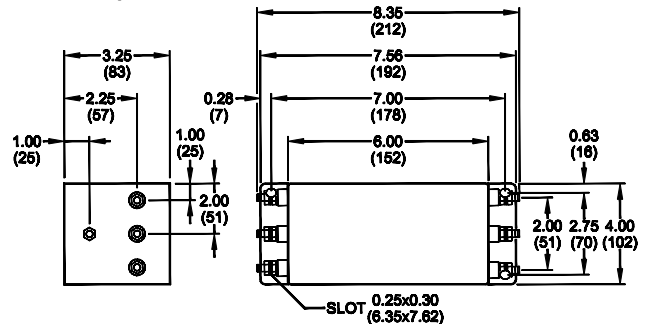
#### Mechanical Dimensions

TYPICAL TOLERANCE: +/-0.02" (0.50 mm)

##### 20/40/60 Amp



##### 80/100 Amp



Specifications are subject to change. Consult factory to verify specifications.

For more information on our filter products call us at: +1.908.850.5088 or Toll Free at +1.866.641.3310

LCR, Radius Power, and Filter Concepts are now part of Astrodyne TDI