

RP360 Series

3-Phase Delta Single Stage Power Line Filters



20 A to 60 A Compact Chassis

Specifications

Operating Frequency	50/60 Hz
Usable Frequency	DC - 400 Hz
Max. Operating Voltage	480 V +10%
Ambient Temperature	-25 to 50°C
Climatic Category	25/100/21
Hipot Rating (L-G)	3500 VDC
Terminals (-T)	S: M5
Safety Approvals	UR, CSA, EN60939
Typ. Weight, lbs (kg)	3.0 (1.4)



Part Number/Ordering

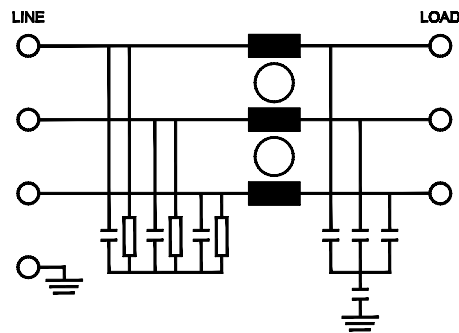
RP360	-X (Amps)	-Y (Ycap, nF)	-T
	20	0	S
	40	10	
	60	100	

Note: Use any combination of -Y with any -X (Amps) rating
e.g. RP360-40-10-S (40 Amps with 10 nF Ycap)

Typical Insertion Loss, dB (50/50 Ohm)

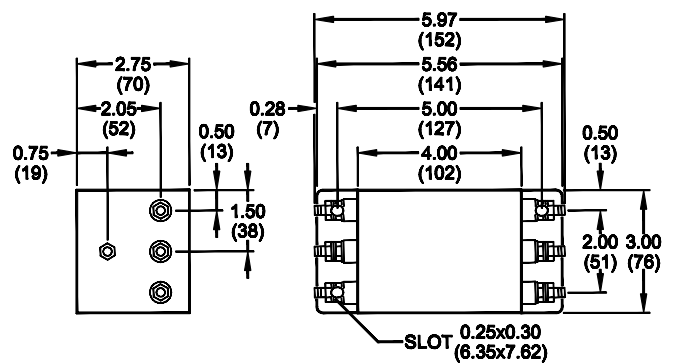
Freq (MHz)	0.15	0.5	1.0	10	30
20 Amp					
CM(dB)	45	55	55	50	40
DM(dB)	46	70	70	70	60
40 Amp					
CM(dB)	36	48	52	50	40
DM(dB)	40	65	70	65	60
60 Amp					
CM(dB)	35	48	50	50	42
DM(dB)	36	58	60	62	55

Electrical Schematic



Mechanical Dimensions

TYPICAL TOLERANCE: +/-0.02" (0.50 mm)



Leakage Current

Y-cap, nF	mA, 480 V/60 Hz
0	0.0
10	0.1
100	1.0

Specifications are subject to change. Consult factory to verify specifications.

For more information on our filter products call us at +1.908.850.5088 or Toll Free at +1.866.641.3310

LCR, Radius Power, and Filter Concepts are now part of Astrodyne TDI

www.AstrodyneTDI.com