

RP610 Series

High Performance Single Stage DC Power Line Filters



3 A to 20 A

Specifications

Max. Operating Voltage	250 VDC
Ambient Temperature	-25 to 55°C
Climatic Category	25/100/21
Hipot Rating (L-G)	1800 VDC
Terminals (-T)	QD: 0.25 Tabs
Typ. Weight, lbs (kg)	0.7 (0.3)

Part Number/Ordering

RP610	-X (Amps)	-Y (Ycap, nF)	-T
	3	10	QD
	6	100	
	10	1000	
	12		
	20		

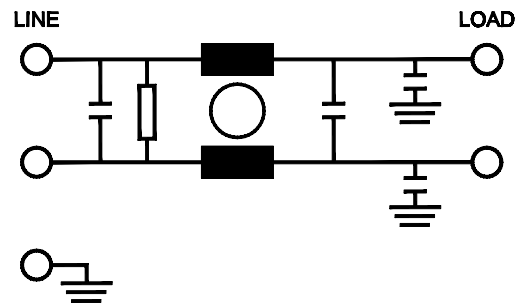
Note: Use any combination of -Y with any -X (Amps) rating
e.g. RP605-100-10-S (100 Amps with 10 nF Ycap)

Typical Insertion Loss, dB (50/50 Ohm)

Freq (MHz)	0.15	0.5	1.0	10	30
3 Amp					
CM(dB)	40	55	65	65	60
DM(dB)	40	60	65	75	70
6 Amp					
CM(dB)	40	55	65	65	60
DM(dB)	42	62	65	75	70
10/12 Amp					
CM(dB)	40	55	65	65	60
DM(dB)	45	65	65	75	70
20 Amp					
CM(dB)	20	28	34	55	60
DM(dB)	30	55	58	60	60

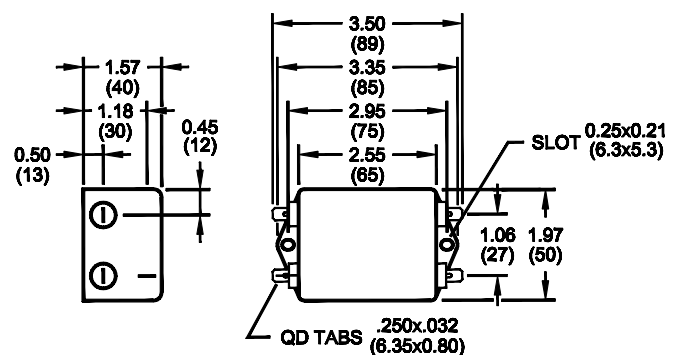


Electrical Schematic



Mechanical Dimensions

TYPICAL TOLERANCE: +/-0.02" (0.50 mm)



Specifications are subject to change. Consult factory to verify specifications.

For more information on our filter products call us at: +1.908.850.5088 or Toll Free at +1.866.641.3310

LCR, Radius Power, and Filter Concepts are now part of Astrodyne TDI

www.AstrodyneTDI.com