

RP615 Series

High Performance Dual Stage DC Power Line Filters



3 A to 20 A

Specifications

| | |
|------------------------|---------------|
| Max. Operating Voltage | 250 VDC |
| Ambient Temperature | -25 to 55°C |
| Climatic Category | 25/100/21 |
| Hipot Rating (L-G) | 1800 VDC |
| Terminals (-T) | QD: 0.25 Tabs |
| Typ. Weight, lbs (kg) | 0.8 (0.4) |

Part Number/Ordering

| RP615 | -X (Amps) | -Y (Ycap, nF) | -T |
|-------|--------------|------------------|----|
| | 3 | 10 | QD |
| | 6 | 100 | |
| | 10 | 1000 | |
| | 20 | | |

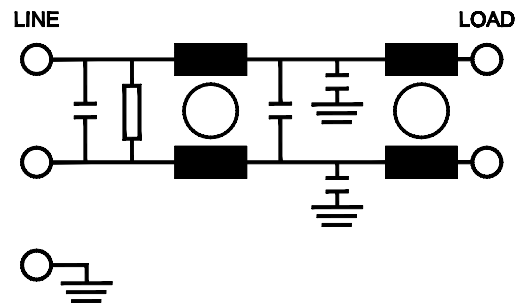
Note: Use any combination of -Y with any -X (Amps) rating
e.g. RP615-20-10-QD (20 Amps with 10 nF Y-cap)

Typical Insertion Loss, dB (50/50 Ohm)

| Freq (MHz) | 0.15 | 0.5 | 1.0 | 10 | 30 |
|------------|------|-----|-----|----|----|
| 3 Amp | | | | | |
| CM(dB) | 60 | 70 | 70 | 52 | 50 |
| DM(dB) | 50 | 60 | 68 | 60 | 60 |
| 6 Amp | | | | | |
| CM(dB) | 60 | 70 | 70 | 52 | 50 |
| DM(dB) | 50 | 60 | 68 | 60 | 60 |
| 10/12 Amp | | | | | |
| CM(dB) | 55 | 70 | 70 | 50 | 50 |
| DM(dB) | 45 | 60 | 60 | 70 | 65 |
| 20 Amp | | | | | |
| CM(dB) | 40 | 65 | 70 | 52 | 40 |
| DM(dB) | 34 | 58 | 60 | 65 | 60 |

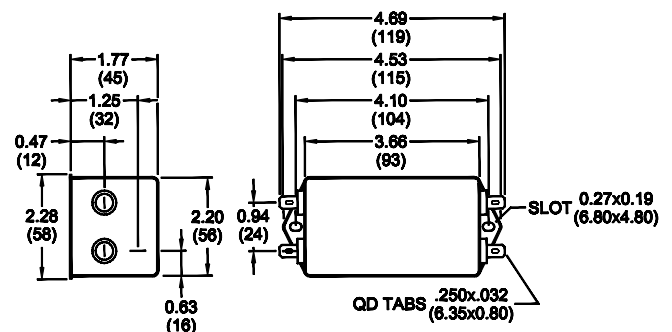


Electrical Schematic



Mechanical Dimensions

TYPICAL TOLERANCE: +/-0.02" (0.50 mm)



Specifications are subject to change. Consult factory to verify specifications.

For more information on our filter products call us at: +1.908.850.5088 or Toll Free at +1.866.641.3310

LCR, Radius Power, and Filter Concepts are now part of Astrodyne TDI

www.AstrodyneTDI.com