

RPM6000 Series

MIL/COTS DC EMI Power Line Filters

5 A to 60 A, Non-Grounded and Grounded Returns MIL-STD-46/DO-160

Specifications

Operating Frequency	DC
Max. Operating Voltage	400 VDC
Ambient Temperature	-40 to 70°C
Hipot Rating (L-G)	1800 VDC
Terminals (-T)	S: 5/10/20/30 A (M5) 50/60 A (M6)

Applications

Mil-461/DO-160 (2 Line Systems with Non-Grounded and Grounded Returns

Note:

Call for other termination types (e.g. Circular Mil-Connectors, etc.)

Part Number/Ordering

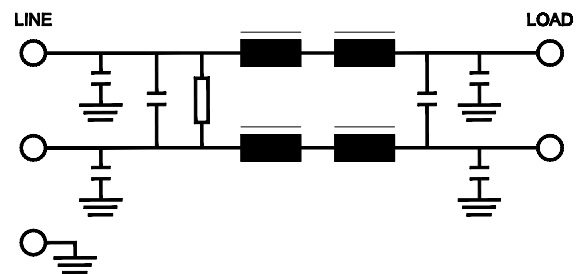
RPM6000	-X (Amps)	-T	Typ. Weight, lbs (kg)
	5	S	1.0 (0.4)
	10		1.0 (0.4)
	20		2.7 (1.2)
	30		2.7 (1.2)
	50		6.0 (2.7)
	60		8.5 (3.9)

Typical Insertion Loss, dB (50/50 Ohm)

Freq (MHz)	0.01	0.15	0.5	1.0	10	30
CM(dB)	22	38	45	50	40	35
DM(dB)	28	48	52	50	45	30



Electrical Schematic



Specifications are subject to change. Consult factory to verify specifications.

For more information on our filter products call us at: +1.908.850.5088 or Toll Free at +1.866.641.3310

LCR, Radius Power, and Filter Concepts are now part of Astrodyne TDI

www.AstrodyneTDI.com

RPM6000 Series

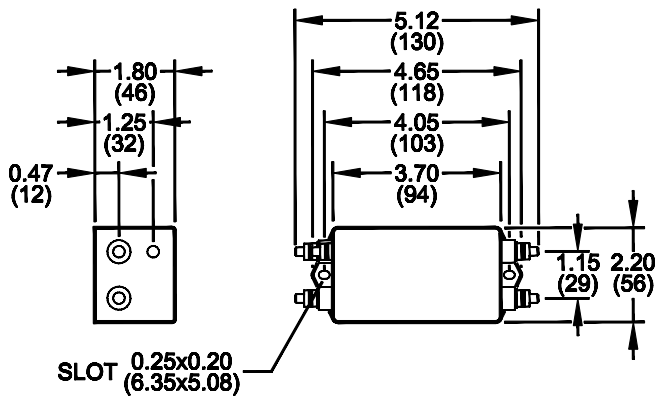
MIL/COTS DC EMI Power Line Filters

5 A to 60 A, Non-Grounded and Grounded Returns MIL-STD-46/DO-160

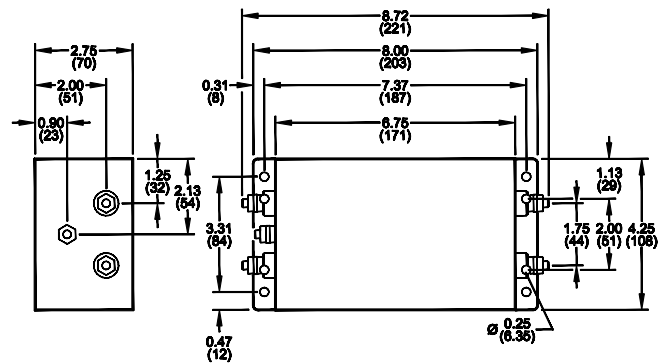
Mechanical Dimensions

TYPICAL TOLERANCE: +/-0.02" (0.50 mm)

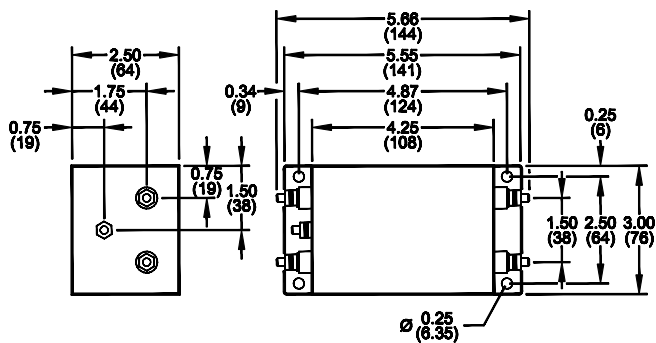
5/10 Amp



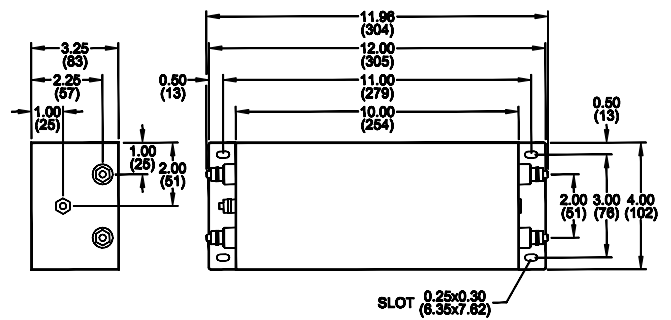
50 Amp



20/30 Amp



60 Amp



Specifications are subject to change. Consult factory to verify specifications.

For more information on our filter products call us at: +1.908.850.5088 or Toll Free at +1.866.641.3310

LCR, Radius Power, and Filter Concepts are now part of Astrodyne TDI

www.AstrodyneTDI.com