

# RPM6400 Series

## MIL/COTS DC EMI Power Line Filters

5 A to 50 A, Performance to 10 GHZ MIL-STD-461/DO-160

### Specifications

Operating Frequency	DC
Max. Operating Voltage	400 VDC
Ambient Temperature	-40 to 70°C
Hipot Rating (L-G)	1800 VDC
Terminals (-T)	S: M5 Studs
Applications	Mil-461/ DO-160 (Grounded and Non-Grounded Returns)

Note:  
Call for other termination types (e.g. Circular Mil-Connectors, etc.)

### Part Number/Ordering

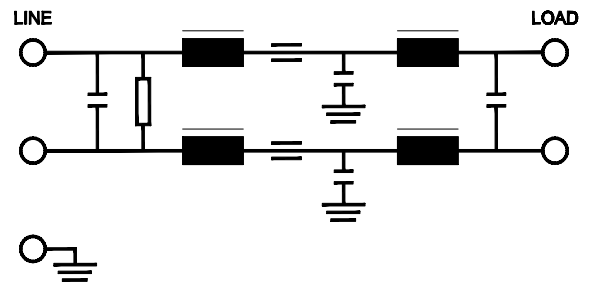
RPM6400	-X (Amps)	-T	Typ. Weight, lbs (kg)
	5	S	2.0 (0.9)
	10		2.0 (0.9)
	20		4.0 (1.8)
	25		4.0 (1.8)
	50		5.0 (2.3)

### Typical Insertion Loss, dB (50/50 Ohm)

Freq (MHz)	0.01	0.15	0.5	1.0	10	1000	10000
CM(dB)	30	50	60	60	70	70	70
DM(dB)	34	45	65	65	60	-	-



### Electrical Schematic



Specifications are subject to change. Consult factory to verify specifications.

For more information on our filter products call us at: +1.908.850.5088 or Toll Free at +1.866.641.3310  
LCR, Radius Power, and Filter Concepts are now part of Astrodyne TDI

# RPM6400 Series

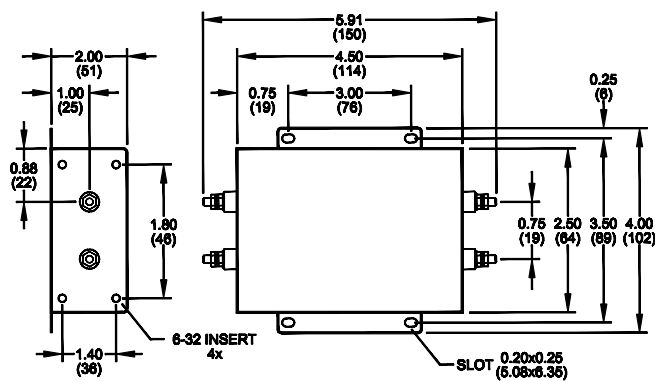
## MIL/COTS DC EMI Power Line Filters

5 A to 50 A, Performance to 10 GHZ MIL-STD-461/DO-160

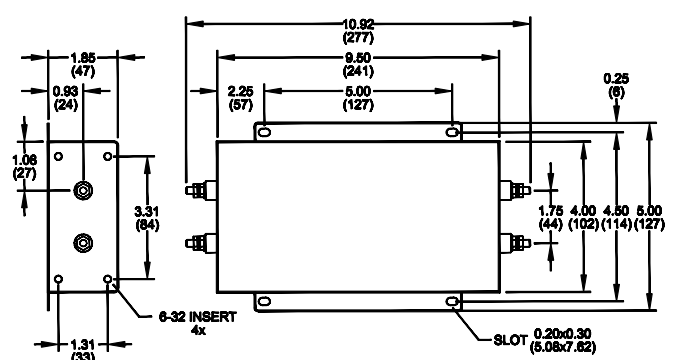
### Mechanical Dimensions

TYPICAL TOLERANCE: +/-0.02" (0.50 mm)

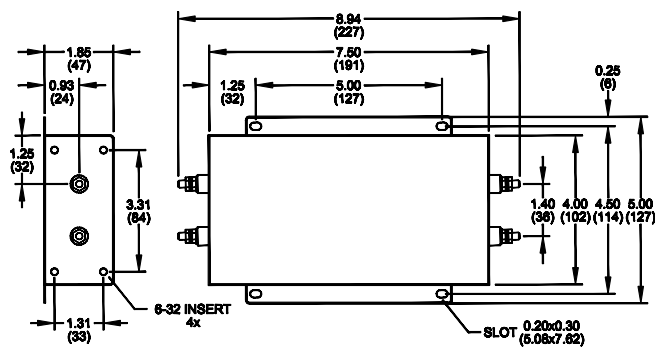
#### 5/10 Amp



#### 50 Amp



#### 20/25 Amp



Specifications are subject to change. Consult factory to verify specifications.

For more information on our filter products call us at: +1.908.850.5088 or Toll Free at +1.866.641.3310  
 LCR, Radius Power, and Filter Concepts are now part of Astrodyne TDI