

RPM6600 Series

MIL/COTS DC EMI Power Line Filters

5 A to 50 A, Performance to 10 GHZ MIL-STD-461/DO-160

Specifications

Operating Frequency	DC
Max. Operating Voltage	400 VDC
Ambient Temperature	-40 to 70°C
Hipot Rating (L-G)	1800 VDC
Terminals (-T)	S: M5 Studs
Applications	Mil-461/ DO-160 (Non-Grounded Returns)

Note:
Call for other termination types (e.g. Circular Mil-Connectors, etc.)

Part Number/Ordering

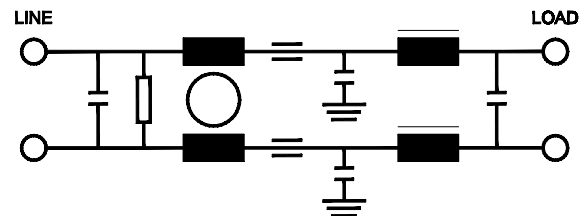
RPM6600	-X (Amps)	-T	Typ. Weight, lbs (kg)
	5	S	1.4 (0.6)
	10		1.4 (0.6)
	25		1.8 (0.8)
	50		2.2 (1.0)

Typical Insertion Loss, dB (50/50 Ohm)

Freq (MHz)	0.01	0.15	0.5	1.0	10	1000	10000
CM(dB)	40	50	60	60	70	70	70
DM(dB)	28	45	60	60	60	-	-



Electrical Schematic



Specifications are subject to change. Consult factory to verify specifications.

For more information on our filter products call us at: +1.908.850.5088 or Toll Free at +1.866.641.3310

LCR, Radius Power, and Filter Concepts are now part of Astrodyne TDI

www.AstrodyneTDI.com

RPM6600 Series

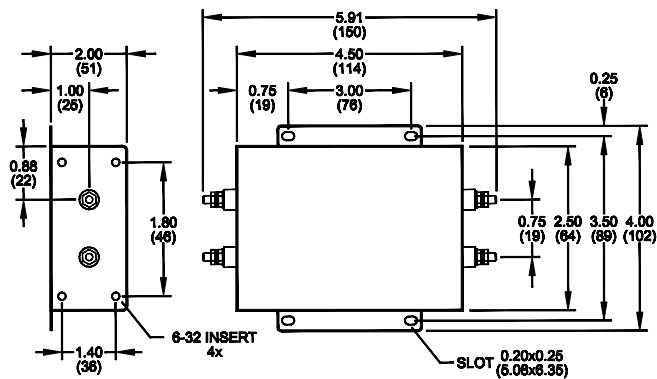
MIL/COTS DC EMI Power Line Filters

5 A to 50 A, Performance to 10 GHZ MIL-STD-461/DO-160

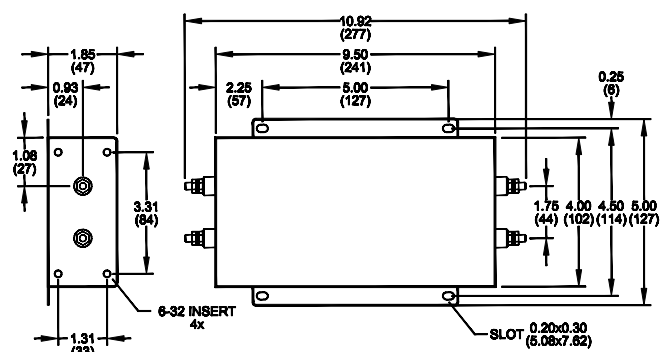
Mechanical Dimensions

TYPICAL TOLERANCE: +/-0.02" (0.50 mm)

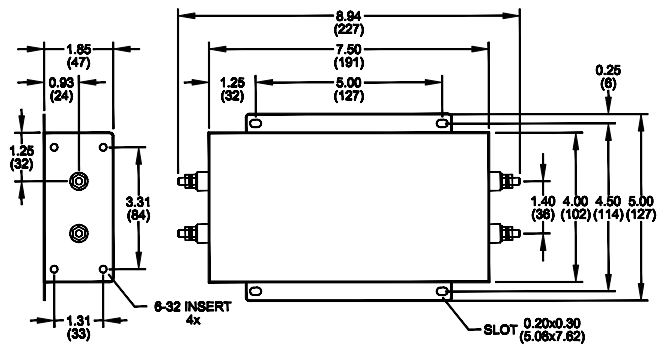
5/10 Amp



50 Amp



25 Amp



Specifications are subject to change. Consult factory to verify specifications.

For more information on our filter products call us at: +1.908.850.5088 or Toll Free at +1.866.641.3310

LCR, Radius Power, and Filter Concepts are now part of Astrodyne TDI

www.AstrodyneTDI.com