

# RPM7020 Series

## MIL/COTS Compact AC, Single Phase EMI Power Line Filters

5 A to 20 A, 50/60/400 Hz MIL-STD-461/DO-160

### Specifications

Operating Frequency	50/60/400 Hz
Max. Operating Voltage	300 VAC
Ambient Temperature	-40 to 70°C
Hipot Rating (L-G)	1800 VDC
Terminals (-T)	S: M5 Studs
Typical Leakage Current	3.5 mA/Line (250 V/60 Hz)
Applications	Mil-461/ DO-160
Typ. Weight, lbs (kg)	0.5 (0.2)

#### Note:

Call for other termination types (e.g. Circular Mil-Connectors, etc.)  
Leakage current is determined by the line to ground capacitors in the filter. The capacitors can be easily varied to match the system leakage requirements.

### Part Number/Ordering

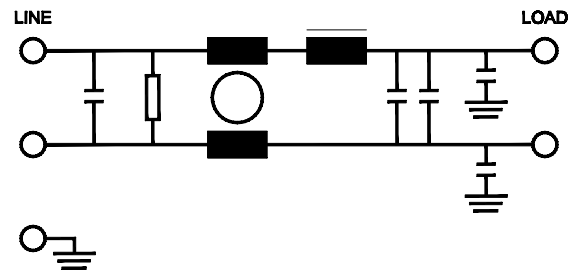
RPM7020	-X (Amps)	-T
	5	S
	10	
	15	
	20	

### Typical Insertion Loss, dB (50/50 Ohm)

Freq (MHz)	0.01	0.15	0.5	1.0	10	30
CM(dB)	14	30	50	50	45	30
DM(dB)	22	40	60	60	40	30



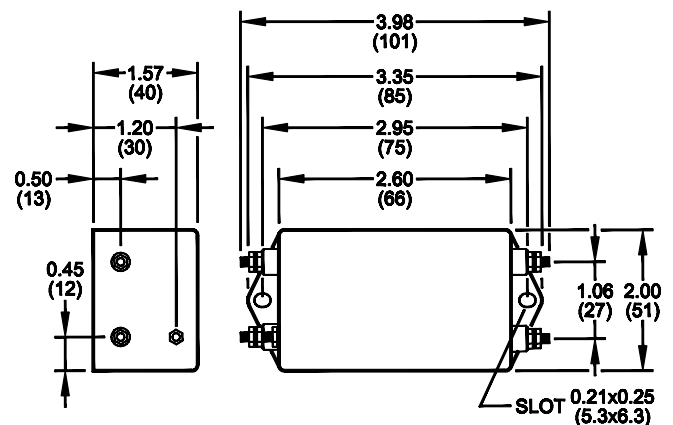
### Electrical Schematic



### Mechanical Dimensions

TYPICAL TOLERANCE: +/-0.02" (0.50 mm)

5/10/15/20 Amp



Specifications are subject to change. Consult factory to verify specifications.

For more information on our filter products call us at: +1.908.850.5088 or Toll Free at +1.866.641.3310

LCR, Radius Power, and Filter Concepts are now part of Astrodyne TDI

[www.AstrodyneTDI.com](http://www.AstrodyneTDI.com)