

LCR FH1960

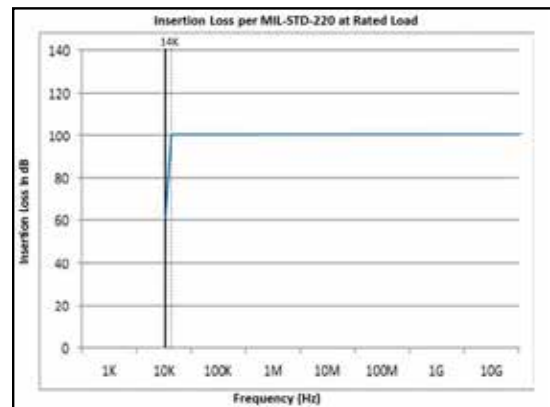
HEMP/EMI Power Line Filters, 14 KHz



Astrodyne TDI EMI filter capabilities can help your products meet all requirements and achieve "mission success" in critical applications. We are a uniquely integrated company for advanced design, engineering, manufacturing, testing and technical support.

Features

- Our power line filters meet point of entry requirements of MIL-STD-188-125-1 for short and intermediate pulses. These filters are fitted with high transient suppressors in front of the inductive input circuit, resulting in low residual currents during an EMP pulse and protecting the connected equipment.
- Attenuation (insertion loss) is 10 dB @ 14 KHz to 10 GHz measured in accordance with MIL-STD-220. Filter insertion loss will extend to 40 GHz when installed with proper EMI shielding and isolation.
- Filter cabinets supplied with two separate removable covers to access input and output terminals. The output compartment is supplied with an EMI (RF) non-corrosive, environmental gasket to prevent RF leakage and accommodate maximum isolation between input and output compartments. The input compartment is supplied with a moisture resistant gasket.
- Astrodyne TDI power line filters comply with all the applicable requirements of MIL-PRF-15733 latest revision, MIL-STD-810 and UL 1283.
- Bleeder resistors are built into each filter line to discharge the capacitor voltage to ground potential during power shutdown.
- Designed to operate continuously at rated currents and voltages, and are capable of withstanding a 40% current overload for 15 minutes without degradation.
- Voltage drop across each filter line at room temperature and full rated current is less than 1%.
- Electrical specifications - 120/208 or 277/480 VAC, 50/60 Hz
- Finish: yellow zinc chromate plating (conductive) with gray enamel paint, no paint on rear mounting surface.



Specifications are subject to change. Consult factory to verify specifications.

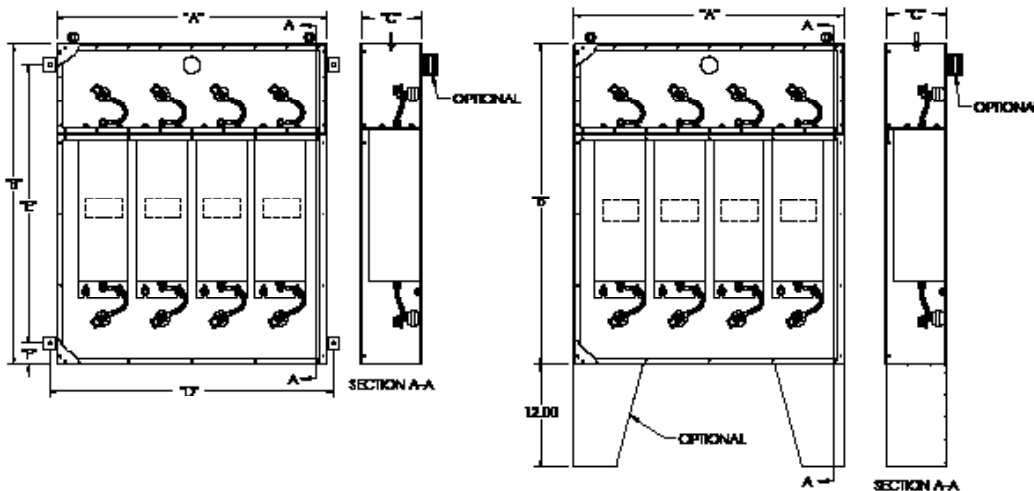
For more information on our filter products call us at: (800) 527-4362 or (714) 289-0055
LCR, Radius Power, and Filter Concepts are now part of Astrodyne TDI

LCR FH1960

HEMP/EMI Power Line Filters, 14 KHz



LCR FH1960 Mechanical Outlines



LCR FH1960 Mechanical Dimensions in mm (in)

Part No.	Current (A)	A	B	C	D	E	F
FH1960-2W	2x10	203.20 (8.00)	711.20 (28.00)	127.00 (5.00)	228.60 (9.00)	584.20 (23.00)	63.50 (2.50)
FH1960-3W	3x10	304.80 (12.00)	711.20 (28.00)	127.00 (5.00)	330.20 (13.00)	584.20 (23.00)	63.50 (2.50)
FH1960-4W	4x10	406.40 (16.00)	711.20 (28.00)	127.00 (5.00)	431.80 (17.00)	584.20 (23.00)	63.50 (2.50)
FH1961-2W	2x25	304.80 (12.00)	863.60 (34.00)	177.80 (7.00)	330.20 (13.00)	736.60 (29.00)	63.50 (2.50)
FH1961-3W	3x25	457.20 (18.00)	863.60 (34.00)	177.80 (7.00)	482.60 (19.00)	736.60 (29.00)	63.50 (2.50)
FH1961-4W	4x25	609.60 (24.00)	863.60 (34.00)	177.80 (7.00)	635.00 (25.00)	736.60 (29.00)	63.50 (2.50)
FH1963-2W	2x50	304.80 (12.00)	863.60 (34.00)	177.80 (7.00)	330.20 (13.00)	736.60 (29.00)	63.50 (2.50)
FH1963-3W	3x50	457.20 (18.00)	863.60 (34.00)	177.80 (7.00)	482.60 (19.00)	736.60 (29.00)	63.50 (2.50)
FH1963-4W	4x50	609.60 (24.00)	863.60 (34.00)	177.80 (7.00)	635.00 (25.00)	736.60 (29.00)	63.50 (2.50)
FH1964-2W	2x100	355.60 (14.00)	863.60 (34.00)	177.80 (7.00)	381.00 (15.00)	736.60 (29.00)	63.50 (2.50)
FH1964-3W	3x100	508.00 (20.00)	863.60 (34.00)	177.80 (7.00)	533.40 (21.00)	736.60 (29.00)	63.50 (2.50)
FH1964-4W	4x100	660.40 (26.00)	863.60 (34.00)	177.80 (7.00)	685.80 (27.00)	736.60 (29.00)	63.50 (2.50)
FH1965-2W	2x200	508.00 (20.00)	1219.20 (48.00)	228.60 (9.00)	533.40 (21.00)	1092.20 (43.00)	63.50 (2.50)
FH1965-3W	3x200	736.60 (29.00)	1219.20 (48.00)	228.60 (9.00)	762.00 (30.00)	1092.20 (43.00)	63.50 (2.50)
FH1965-4W	4x200	965.20 (38.00)	1219.20 (48.00)	228.60 (9.00)	990.60 (39.00)	1092.20 (43.00)	63.50 (2.50)
FH1966-2W	2x400	609.60 (24.00)	1524.00 (60.00)	304.80 (12.00)	635.00 (25.00)	1397.00 (55.00)	63.50 (2.50)
FH1966-3W	3x400	889.00 (35.00)	1524.00 (60.00)	304.80 (12.00)	660.40 (26.00)	1397.00 (55.00)	63.50 (2.50)
FH1966-4W	4x400	1168.40 (46.00)	1524.00 (60.00)	304.80 (12.00)	1193.80 (47.00)	1397.00 (55.00)	63.50 (2.50)

* These part numbers represent our standard product offerings. If you want a variation that you do not see listed, please contact us and we will customize our design to fit your needs.

Specifications are subject to change. Consult factory to verify specifications.

For more information on our filter products call us at: (800) 527-4362 or (714) 289-0055

LCR, Radius Power, and Filter Concepts are now part of Astrodyne TDI