

# LCR 056

## Feed-Through Filters and Feed-Through Capacitors



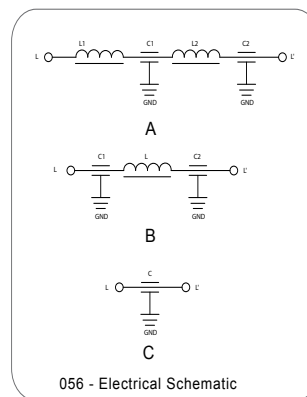
### Features

High reliability, feed-through filters and feed-through capacitors provide high insertion loss over a broad band of frequencies from KHz to GHz frequency levels. These feed-through filters are available with various mounting bushing and all types of terminals.

### Typical Applications

Shielded facilities, base stations, MRI systems, MRI gradient amplifiers, telecommunications systems, servers, switch mode power supply, military equipment and more.

### Electrical Schematic



### Specifications

Rated Voltage Max. (V)	Up to 500 VAC/2000 VDC
Rated Current (A)	Up to 800 A @ 60°C
Operating Frequency (Hz)	50/60/400 Hz
Hipot Rating	1450 VDC or Higher
Case	Plated Brass/Aluminum/Steel

IP Class	IP65
Climatic Category (EN60068-1)	25/100/21
Altitude	2000 M ASL with 100%
Terminals Option	Screw Type
Low Partial Discharge	30 PC

Specifications are subject to change. Consult factory to verify specifications.

For more information on our filter products call us at: (800) 527-4362 or (714) 289-0055  
LCR, Radius Power, and Filter Concepts are now part of Astrodyne TDI

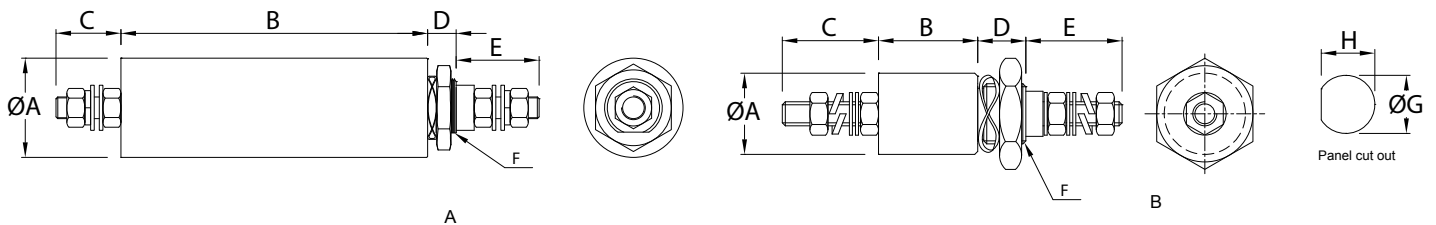
# LCR 056

## Feed Through Filters and Feed Through Capacitors



Model No.	Rated Current (A) @ 40 °C	Rated Voltage	Schematic	Mechanical Diagram	Unit Weight (g)	Terminal Options	
						In	Out
056.00510.00	5	100 VDC	A/B	A/B	110	M3 Screw	M3 Screw
056.00530.00	5	250 VAC	A/B	A/B	110	M3 Screw	M3 Screw
056.01510.00	15	100 VDC	A/B	A/B	120	M4 Screw	M4 Screw
056.01530.00	15	250 VAC	A/B	A/B	120	M4 Screw	M4 Screw
056.02510.00	25	100 VDC	A/B	A/Bz	200	M4 Screw	M4 Screw
056.02530.00	25	250 VAC	A/B	A/B	200	M4 Screw	M4 Screw
056.06001.00	60	275 VAC	C	C	150	M6 Screw	M6 Screw
056.06010.00	60	100 VDC	A/B	A/B	400	M5 Screw	M5 Screw
056.06030.00	60	250 VAC	A/B	A/B	400	M5 Screw	M5 Screw
056.10001.00	100	130/250 VAC	C	C	300	M8 Screw	M8 Screw
056.10020.00	100	200 VDC	A/B	A/B	1000	M8 Screw	M8 Screw
056.10040.00	100	1000 VDC	A/B	A/B	1000	M8 Screw	M8 Screw
056.20020.00	200	200 VDC	A/B	A/B	1000	M10 Screw	M10 Screw
056.20040.00	200	1000 VDC	A/B	A/B	1000	M10 Screw	M10 Screw
056.30020.00	300	200 VDC	A/B	A/B	1500	M12 Screw	M12 Screw
056.30040.00	300	1000 VDC	A/B	A/B	1500	M12 Screw	M12 Screw
056.30050.00	300	2000 VDC	A/B	A/B	1500	M12 Screw	M12 Screw

### LCR 056 Mechanical Outlines



Specifications are subject to change. Consult factory to verify specifications.

For more information on our filter products call us at: (800) 527-4362 or (714) 289-0055

LCR, Radius Power, and Filter Concepts are now part of Astrodyne TDI

# LCR 056

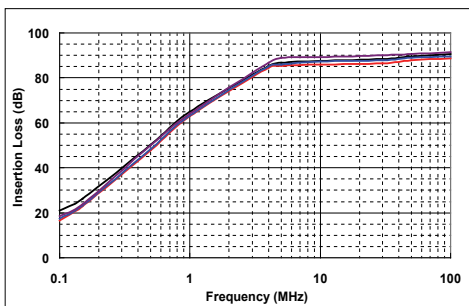
## Feed Through Filters and Feed Through Capacitors

### LCR 056 Mechanical Dimensions (mm)

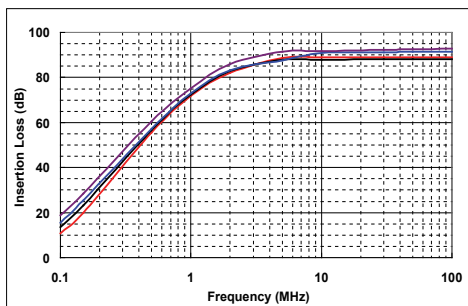
Model No.	Mechanical Diagram	A	B	C	D	E	F	G	H
056.00510.00	A	30	115	15	16	20	M12*0.75	11.2	12.2
056.00530.00	A	30	115	15	16	20	M12*0.75	11.2	12.2
056.01510.00	A	30	115	17	16	22	M12*0.75	11.2	12.2
056.01530.00	A	30	115	17	16	22	M12*0.75	11.2	12.2
056.02510.00	A	35	120	17	16	22	M14*1.0	13.2	14.2
056.02530.00	A	35	120	17	39	22	M14*1.0	13.2	14.2
056.06001.00	B	32	29	22	13	26	M20*1.0	19.2	20.2
056.06010.00	A	35	120	18	40	23	M20*1.0	19.2	20.2
056.06030.00	A	35	120	18	40	23	M20*1.0	19.2	20.2
056.10001.00	B	27	33	32	16	32	M20*1.0	19.2	20.2
056.10020.00	A	45	140	30	56	40	M32*1.5	29.2	32.2
056.10040.00	A	45	140	30	56	40	M32*1.5	29.7	32.2
056.20020.00	A	45	140	30	56	40	M32*1.5	29.7	32.2
056.20040.00	A	45	140	30	56	40	M32*1.5	29.7	32.2
056.30020.00	A	55	170	36	62	46	M32*1.5	29.7	32.2
056.30040.00	A	55	170	36	62	46	M32*1.5	29.7	32.2
056.30050.00	A	55	170	36	62	46	M32*1.5	29.7	32.2

### LCR 056 Insertion Loss in dB Measured in a 50 Ω System

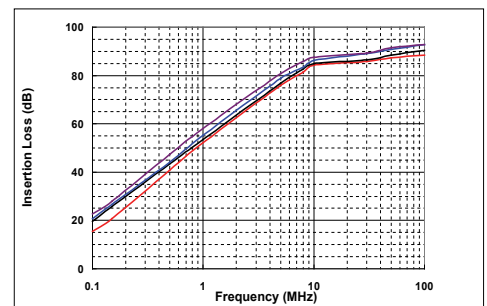
— Common Mode      - - - - Differential Mode



■ 056.00510.00    ■ 056.00530.00



■ 056.02510.00    ■ 056.02530.00



■ 056.20020.00    ■ 056.20040.00

Specifications are subject to change. Consult factory to verify specifications.

For more information on our filter products call us at: (800) 527-4362 or (714) 289-0055

LCR, Radius Power, and Filter Concepts are now part of Astrodyne TDI

**Astrodyne TDI**  
Now you have power.

[www.AstrodyneTDI.com](http://www.AstrodyneTDI.com)