

LCR 057/02

100 dB @150 KHz Shielded Room Filters



Features

UL Listed, 100 dB from 150 KHz and up to 10 GHz (20 GHz - 40 GHz available per order), single line, dual line, three line and four line models, shielded, sealed and robust filters for shielded facilities, easy mounting and installation, threaded pipe with EMI gasket (load) and knockouts inlets (line), meet MIL-STD 220 and CISPR 17. Each unit comes with a user manual and full hardware kit for easy installation.

Typical Applications

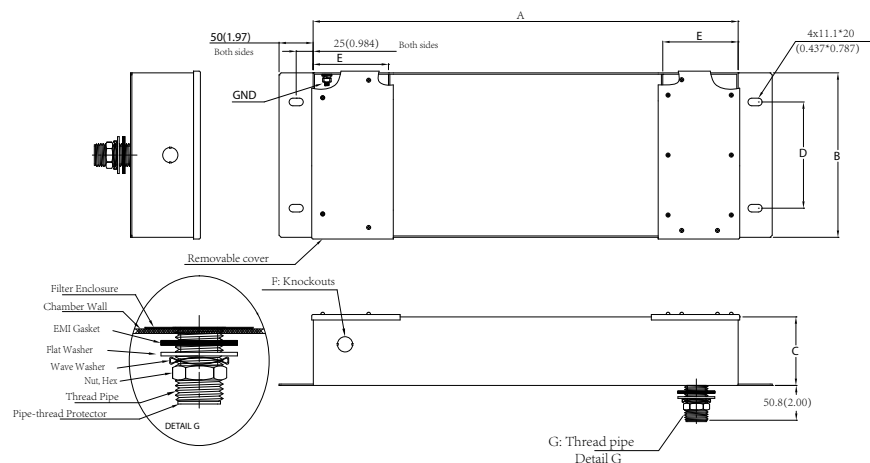
Shielded rooms and facilities, shielded enclosures, secured communication areas, EMC test laboratories, anechoic chambers, MRI screened facilities and other shielded facilities and applications.

Specifications

Rated Voltage (V)	277/480 VAC	*Max. Capacitive Reactive Current per Line (I Reactive)	See Table
Rated Current (A)	10-250 A @ 50°C	Voltage Drop	1% Max.
Frequency (Hz)	50/60 Hz	Overload (of Rated Current, 15 Minutes/Hour)	40% Max.
Hipot Rating (L-GND)	2200 VDC	IP Class	IP65
Storage Temperature	From -40 to 85°C	Case Material	Plated Steel
Operating Temperature	From -40 to 85°C	Climatic Category (EN 60068-1)	25/85/21

*WARNING: High capacitance reactive current to ground. Connect filter to ground (PE) before applying power to filter.

LCR 057/02 Mechanical Outlines



Specifications are subject to change. Consult factory to verify specifications.

For more information on our filter products call us at: (800) 527-4362 or (714) 289-0055
LCR, Radius Power, and Filter Concepts are now part of Astrodyne TDI

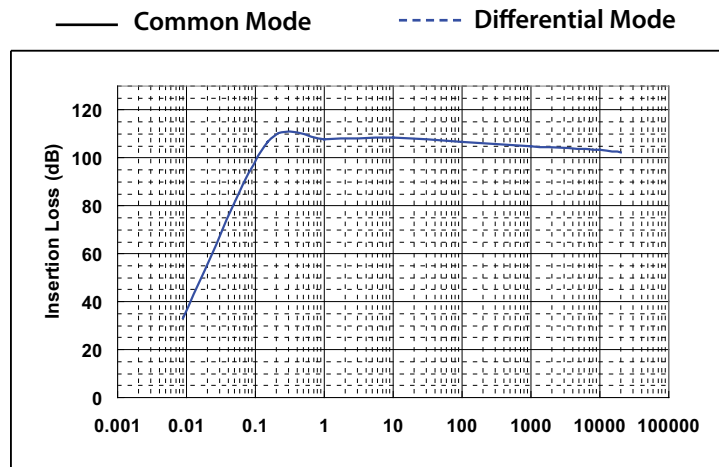
LCR 057/02

100 dB @150 KHz Shielded Room Filters



Model No.	Lines	Rated Voltage (VAC)	Rated Current (A) @ 50°C	I Reactive A Per Line @ 230 V/50 Hz	Mechanical Dimensions Shown in mm (in)							Terminal GND/Line/Load	Ref. Unit Weight (Kg)
					A Length	B Width	C Height	D Footprint	E Chamber	F Knockouts	G (NPT) Thread		
057.01041.00	1	277	10	1.9	460 (18.11)	110 (4.33)	100 (3.94)	80 (3.15)	110 (4.33)	22.23 (0.875)	1-11.5	M6 Screw	6
057.03041.00	1	277	30	3.3	500 (19.69)	120 (4.72)	130 (5.12)	80 (3.15)	110 (4.33)	22.23 (0.875)	1-11.5	M6 Screw	9
057.06041.00	1	277	60	4.1	560 (22.05)	140 (5.51)	130 (5.12)	80 (3.15)	110 (4.33)	22.23 (0.875)	1-11.5	M6 Screw	12
057.10041.00	1	277	100	5.5	720 (28.35)	150 (5.91)	140 (5.51)	100 (3.94)	150 (5.90)	34.93 (1.375)	1-11.5	M10 Screw	15
057.25041.00	1	277	250	5.5	720 (28.35)	200 (7.88)	140 (5.51)	100 (3.94)	150 (5.90)	34.93 (1.375)	1-11.5	M12 Screw	25
057.01042.00	2	277/480	10	1.9	460 (18.11)	220 (8.66)	100 (3.94)	160 (6.30)	110 (4.33)	22.23 (0.875)	1-11.5	M6 Screw	12
057.03042.00	2	277/480	30	3.3	500 (19.69)	240 (9.44)	130 (5.12)	160 (6.30)	110 (4.33)	22.23 (0.875)	1-11.5	M6 Screw	18
057.06042.00	2	277/480	60	4.1	560 (22.05)	280 (11.02)	130 (5.12)	160 (6.30)	110 (4.33)	22.23 (0.875)	1-11.5	M6 Screw	25
057.10042.00	2	277/480	100	5.5	720 (28.35)	300 (11.82)	140 (5.51)	200 (7.88)	150 (5.90)	34.93 (1.375)	1.5-11.5	M10 Screw	30
057.25042.00	2	277/480	250	5.5	720 (28.35)	400 (15.76)	140 (5.51)	200 (7.88)	150 (5.90)	34.93 (1.375)	1.5-11.5	M12 Screw	40
057.01043.00	3	277/480	10	1.9	460 (18.11)	330 (12.99)	100 (3.94)	240 (9.45)	110 (4.33)	22.23 (0.875)	1-11.5	M6 Screw	20
057.03043.00	3	277/480	30	3.3	500 (19.69)	360 (14.16)	130 (5.12)	240 (9.45)	110 (4.33)	22.23 (0.875)	1-11.5	M6 Screw	25
057.06043.00	3	277/480	60	4.1	560 (22.05)	420 (16.53)	130 (5.12)	240 (9.45)	110 (4.33)	22.23 (0.875)	1-11.5	M6 Screw	35
057.10043.00	3	277/480	100	5.5	720 (28.35)	450 (17.73)	140 (5.51)	300 (11.81)	150 (5.90)	34.93 (1.375)	1.5-11.5	M10 Screw	40
057.25043.00	3	277/480	250	5.5	720 (28.35)	600 (23.62)	140 (5.51)	300 (11.81)	150 (5.90)	44.05 (1.734)	1.5-11.5	M12 Screw	50
057.01044.00	4	277/480	10	1.9	460 (18.11)	440 (17.32)	100 (3.94)	320 (12.60)	110 (4.33)	22.23 (0.875)	1-11.5	M6 Screw	30
057.03044.00	4	277/480	30	3.3	500 (19.69)	480 (18.88)	130 (5.12)	320 (12.60)	110 (4.33)	22.23 (0.875)	1-11.5	M6 Screw	35
057.06044.00	4	277/480	60	4.1	560 (22.05)	560 (22.04)	130 (5.12)	320 (12.60)	110 (4.33)	34.93 (1.375)	1.5-11.5	M6 Screw	45
057.10044.00	4	277/480	100	5.5	720 (28.35)	600 (23.64)	140 (5.51)	400 (15.75)	150 (5.90)	34.93 (1.375)	1.5-11.5	M10 Screw	55
057.25044.00	4	277/480	250	5.5	720 (28.35)	800 (31.50)	140 (5.51)	400 (15.75)	150 (5.90)	44.05 (1.734)	2.5-11.5	M12 Screw	65

LCR 057/02 Insertion Loss in dB Measured in a 50 Ω System



Specifications are subject to change. Consult factory to verify specifications.

For more information on our filter products call us at: (800) 527-4362 or (714) 289-0055

LCR, Radius Power, and Filter Concepts are now part of Astrodyne TDI