

# LCR 059

## MRI Room and Shielded Enclosure Filters



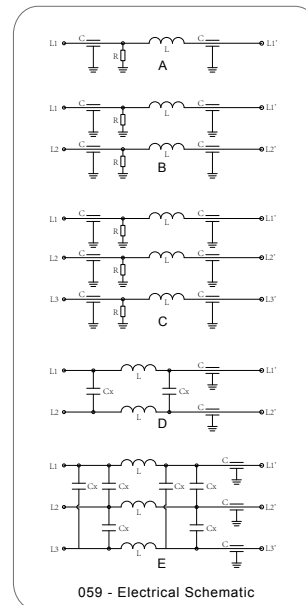
### Features

Designed for use in MRI shielded rooms and enclosures. Provides high attenuation (100dB) from 5 MHz to 10 GHz. Sealed construction with removable shielded cover for input connections through knock-outs and threaded conduit pipe for output connections via flexible cable. Each unit comes with a user manual and full hardware kit for easy installation.

### Typical Applications

Shielded rooms and facilities, shielded enclosures, secured communication areas, EMC test laboratories, anechoic chambers, MRI screened facilities and other shielded facilities and applications.

### Electrical Schematic



### Specifications

Rated Voltage (V)	120/277 VAC Line to Ground
Rated Current (A)	Up to 50 A @ 60°C
Over Load (% of Rated Current)	150%/10 minutes
Operating Frequency (Hz)	50/60 Hz
Hipot Rating	Per UL 1283
Voltage Drop at Rated Current	<1%
Case	Plated steel

Operating Temperature	From -40 to 85°C
Output Cables (Load Side)	UL 1015
Leakage Current (L-GND)	
@ 277 VAC/60 Hz (Schematic A,B,C)	<50 mA
@ 277 VAC/60 Hz (Schematic D,E)	<5 mA
Attenuation (Common Mode)	>100 dB(5 MHz to 10 GHz)
Climatic Category (EN60068-1)	25/85/21
IP Class	IP65

Specifications are subject to change. Consult factory to verify specifications.

For more information on our filter products call us at: (800) 527-4362 or (714) 289-0055  
LCR, Radius Power, and Filter Concepts are now part of Astrodyne TDI

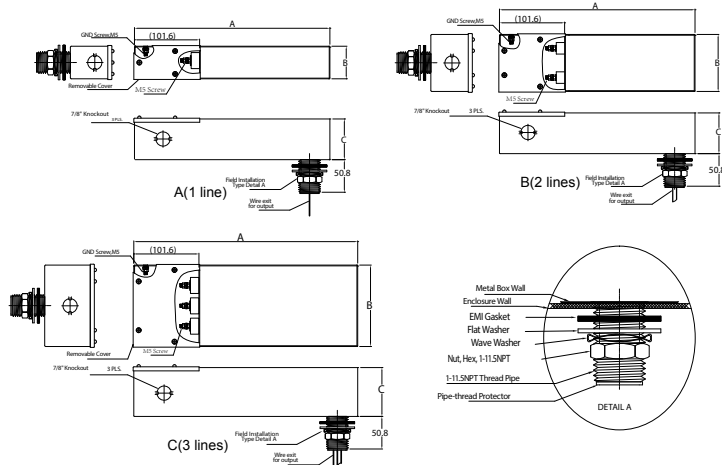
# LCR 059

## MRI Room and Shielded Enclosure Filters

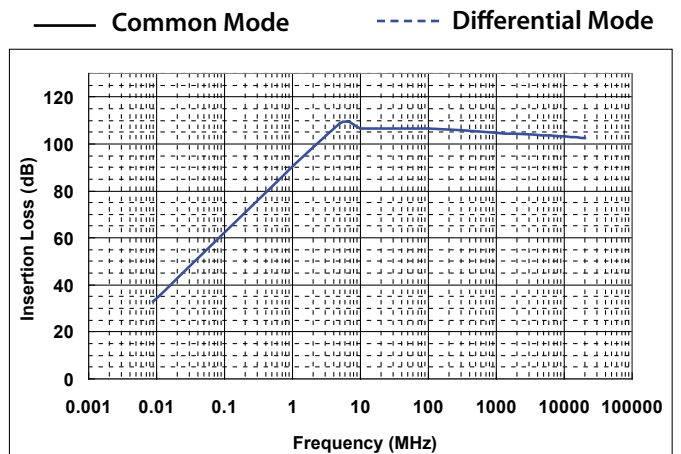


Model No.	Rated Current (A) @ 40°C	Number of Lines	Schematic	Mechanical Outlines	Terminal Options		Mechanical Dimension			
					In	Out	A (mm)	B (mm)	C (mm)	D (mm)
059.00101.00	1	1	A	A	Knock-Out Shielded Screw Type-M5	NPT Threaded Pipe- wire exit	305	50	64	1-11.5NPT
059.00501.00	5				Knock-Out Shielded Screw Type-M5	NPT Threaded Pipe- wire exit	305	50	64	1-11.5NPT
059.01001.00	10				Knock-Out Shielded Screw Type-M5	NPT Threaded Pipe- wire exit	305	50	64	1-11.5NPT
059.01501.00	15				Knock-Out Shielded Screw Type-M5	NPT Threaded Pipe- wire exit	305	50	64	1-11.5NPT
059.03001.00	30				Knock-Out Shielded Screw Type-M5	NPT Threaded Pipe- wire exit	305	50	64	1-11.5NPT
059.05001.00	50				Knock-Out Shielded Screw Type-M5	NPT Threaded Pipe- wire exit	305	50	64	1-11.5NPT
059.00101.00	1	2	B/D	B	Knock-Out Shielded Screw Type-M5	NPT Threaded Pipe- wire exit	305	89	64	1-11.5NPT
059.00501.00	5				Knock-Out Shielded Screw Type-M5	NPT Threaded Pipe- wire exit	305	89	64	1-11.5NPT
059.01001.00	10				Knock-Out Shielded Screw Type-M5	NPT Threaded Pipe- wire exit	305	89	64	1-11.5NPT
059.01501.00	15				Knock-Out Shielded Screw Type-M5	NPT Threaded Pipe- wire exit	305	89	64	1-11.5NPT
059.03001.00	30				Knock-Out Shielded Screw Type-M5	NPT Threaded Pipe- wire exit	350	102	76	1-11.5NPT
059.05001.00	50				Knock-Out Shielded Screw Type-M5	NPT Threaded Pipe- wire exit	350	127	76	1-11.5NPT
059.00101.00	1	3	C/E	C	Knock-Out Shielded Screw Type-M5	NPT Threaded Pipe- wire exit	305	127	64	1-11.5NPT
059.00501.00	5				Knock-Out Shielded Screw Type-M5	NPT Threaded Pipe- wire exit	305	127	64	1-11.5NPT
059.01001.00	10				Knock-Out Shielded Screw Type-M5	NPT Threaded Pipe- wire exit	305	127	64	1-11.5NPT
059.01501.00	15				Knock-Out Shielded Screw Type-M5	NPT Threaded Pipe- wire exit	350	127	76	1-11.5NPT
059.03001.00	30				Knock-Out Shielded Screw Type-M5	NPT Threaded Pipe- wire exit	350	152	76	1-11.5NPT
059.05001.00	50				Knock-Out Shielded Screw Type-M5	NPT Threaded Pipe- wire exit	350	172	76	1-11.5NPT

### LCR 059 Mechanical Outlines



### LCR 059 Insertion Loss in dB Measured in a 50 Ω System



Specifications are subject to change. Consult factory to verify specifications.

For more information on our filter products call us at: (800) 527-4362 or (714) 289-0055  
LCR, Radius Power, and Filter Concepts are now part of Astrodyne TDI