

LCR 082

General Purpose Filtered Power Entry Modules with Fuse Holder and Switch



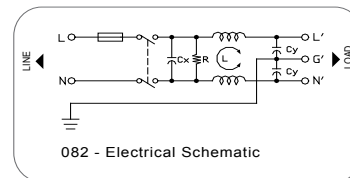
Features

Compact IEC inlet power entry module with integrated safety fuse and DPST on/off switch. Easy to install and use with QD tabs or solder terminals.

Typical Applications

Electronic equipment, PC, printers and plotters.

Electrical Schematic



Specifications

Rated Voltage Max. (V)	250 VAC Max.
Rated Current (A)	1-10 A @ 40°C
Operating Frequency (Hz)	50/60 Hz
Hipot Rating	
Line to Line	1450 VDC
Line to Ground	2250 VDC
Case	Plated Steel
Packaging Quantity	90 Pcs per Carton

Leakage Current

@ 250 VAC 50 Hz	0.42 mA Max.
@ 115 VAC 60 Hz	0.23 mA Max.

IP Class IP51

Climatic Category (EN-60068-1) 25/85/21

Model No.	Rated Current (A) @ 40°C	Mechanical Diagram	Unit Weight (g)	Terminal Options	
				In	Out
082.00101.00	1	A	92	IEC Inlet Socket	QD 6.35*0.8
082.00301.00	3	A	93	IEC Inlet Socket	QD 6.35*0.8
082.00302.00	3	B	93	IEC Inlet Socket	QD 4.8*0.8
082.00601.00	6	A	94	IEC Inlet Socket	QD 6.35*0.8
082.01001.00	10	A	100	IEC Inlet Socket	QD 6.35*0.8

Specifications are subject to change. Consult factory to verify specifications.

For more information on our filter products call us at: (800) 527-4362 or (714) 289-0055

LCR, Radius Power, and Filter Concepts are now part of Astrodyne TDI

Astrodyne TDI
Now you have power.

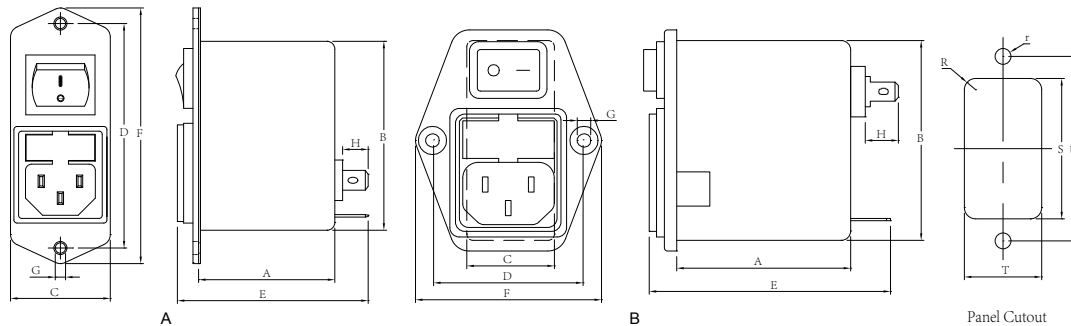
www.AstrodyneTDI.com

LCR 082

General Purpose Filtered Power Entry Modules with Fuse Holder and Switch



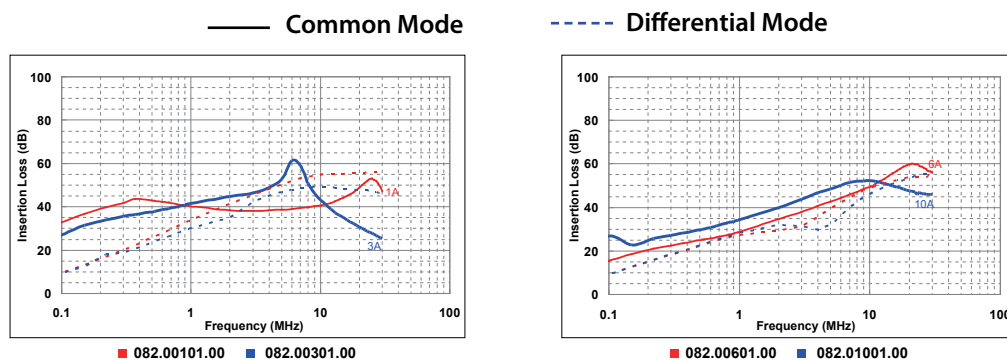
LCR 082 Mechanical Outlines



LCR 082 Mechanical Dimensions (mm)

Model No.	A	B	C	D	E	F	G	H	R	S	T	U	r
082.00101.00	43.7	60.6	32	72	61	82	2* Φ 4.0	8.8	2.5	61	30.0	72	2.1
082.00301.00	43.7	60.6	32	72	61	82	2* Φ 4.0	8.8	2.5	61	30.0	72	2.1
082.00302.00	46.0	53.0	29	40	61	55	2* Φ 3.2	8.5	2.5	56	29.5	40	1.6
082.00601.00	43.7	60.6	32	72	61	82	2* Φ 4.0	8.8	2.5	61	30.0	72	2.1
082.01001.00	43.7	60.6	32	72	61	82	2* Φ 4.0	8.8	2.5	61	30.0	72	2.1

LCR 082 Insertion Loss in dB Measured in a 50 Ω System



Specifications are subject to change. Consult factory to verify specifications.

For more information on our filter products call us at: (800) 527-4362 or (714) 289-0055
 LCR, Radius Power, and Filter Concepts are now part of Astrodyne TDI