

LCR 082M

Medical Filtered Power Entry Modules with Fuse Holder and Switch



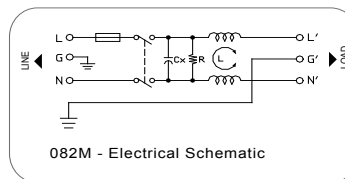
Features

Low leakage current, compact Integrated power entry module with safety fuse and on/off switch. Easy to use and install with QD tabs or solder terminals.


Typical Applications

Medical electronic equipment where a compact design and low leakage are required.

Electrical Schematic



Ordering Part Number System for 082(M) series/ Switch Options

Code	SR	SB
Type	 Switch-Red Illuminate	 Switch-BLK

Specifications

Rated Voltage Max. (V)	250 VAC Max.
Rated Current (A)	1-10 A @ 40°C
Operating Frequency (Hz)	50/60 Hz
Hipot Rating	
Line to Line	1450 VDC
Line to Ground	2250 VDC
Case	Plated Steel
Packaging Quantity	90 Pcs per Carton

Leakage Current	
@ 250 VAC 50 Hz	10 µA Max.
@ 115 VAC 60 Hz	5 µA Max.
IP Class	IP51
Climatic Category (EN-60068-1)	25/85/21

Model No.	Rated Current (A) @ 40°C	Mechanical Diagram	Unit Weight (g)	Terminal Options	
				In	Out
082M.00101.00	1	A/B	92	IEC Inlet Socket	QD 6.35*0.8
082M.00301.00	3	A/B	93	IEC Inlet Socket	QD 6.35*0.8
082M.00302.00	3	A/B	93	IEC Inlet Socket	QD 4.8*0.8
082M.00601.00	6	A/B	94	IEC Inlet Socket	QD 6.35*0.8
082M.01001.00	10	A/B	100	IEC Inlet Socket	QD 6.35*0.8

Specifications are subject to change. Consult factory to verify specifications.

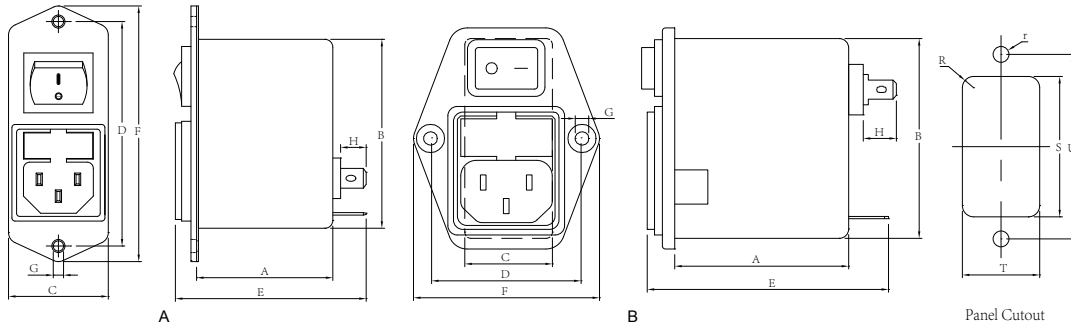
For more information on our filter products call us at: (800) 527-4362 or (714) 289-0055
LCR, Radius Power, and Filter Concepts are now part of Astrodyne TDI

LCR 082M

Medical Filtered Power Entry Modules with Fuse Holder and Switch



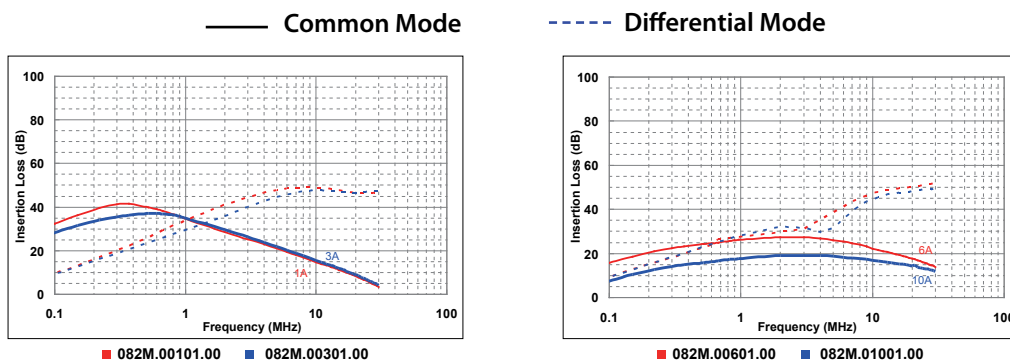
LCR 082M Mechanical Outlines



LCR 082M Mechanical Dimensions (mm)

Model No.	A	B	C	D	E	F	G	H	R	S	T	U	r
082M.00101.00	43.7	60.6	32	72	61	82	2*Φ4.0	8.8	2.5	61	30.0	72	2.1
082M.00301.00	43.7	60.6	32	72	61	82	2*Φ4.0	8.8	2.5	61	30.0	72	2.1
082M.00302.00	46.0	53.0	29	40	61	55	2*Φ3.2	8.5	2.5	56	29.5	40	1.6
082M.00601.00	43.7	60.6	32	72	61	82	2*Φ4.0	8.8	2.5	61	30.0	72	2.1
082M.01001.00	43.7	60.6	32	72	61	82	2*Φ4.0	8.8	2.5	61	30.0	72	2.1

LCR 082M Insertion Loss in dB Measured in a 50 Ω System



Specifications are subject to change. Consult factory to verify specifications.

For more information on our filter products call us at: (800) 527-4362 or (714) 289-0055
 LCR, Radius Power, and Filter Concepts are now part of Astrodyne TDI