

# LCR 084

## General Purpose Filtered Power Entry Modules with Double Fuse Holder and Switch



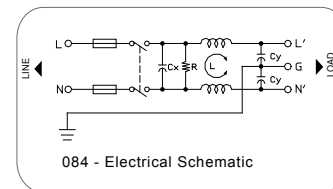
### Features

Compact IEC inlet power entry modules with two integrated safety fuses (on line and neutral) and DPST on/off switch.

### Typical Applications

Compact electronic equipment with high safety and protection requirements.

### Electrical Schematic



### Specifications

Rated Voltage Max. (V)	250 VAC Max.
Rated Current (A)	1-10 A @ 40°C
Operating Frequency (Hz)	50/60 Hz
Hipot Rating	
Line to Line	1450 VDC
Line to Ground	2250 VDC
Case	Plated Steel
Packaging Quantity	90 Pcs per Carton

Leakage Current	
@ 250 VAC 50 Hz	0.42 mA Max.
@ 115 VAC 60 Hz	0.23 mA Max.
IP Class	IP51
Climatic Category (EN-60068-1)	25/85/21

Model No.	Rated Current (A) @ 40°C	Mechanical Diagram	Unit Weight (g)	Terminal Options	
				In	Out
084.00101.00	1	A	92	IEC Inlet Socket	QD 6.35*0.8
084.00301.00	3	A	93	IEC Inlet Socket	QD 6.35*0.8
084.00302.00	3	B	93	IEC Inlet Socket	QD 4.80*0.8
084.00601.00	6	A	94	IEC Inlet Socket	QD 6.35*0.8
084.01001.00	10	A	100	IEC Inlet Socket	QD 6.35*0.8

Specifications are subject to change. Consult factory to verify specifications.

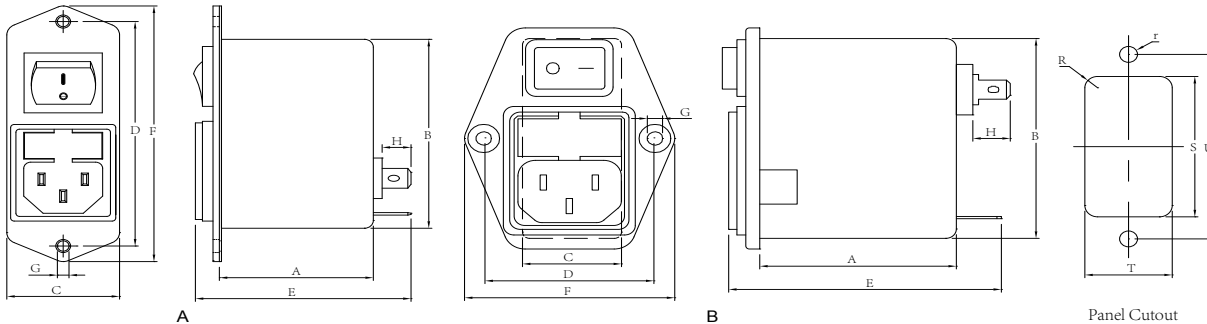
For more information on our filter products call us at: (800) 527-4362 or (714) 289-0055  
LCR, Radius Power, and Filter Concepts are now part of Astrodyne TDI

# LCR 084

## General Purpose Filtered Power Entry Modules with Double Fuse Holder and Switch



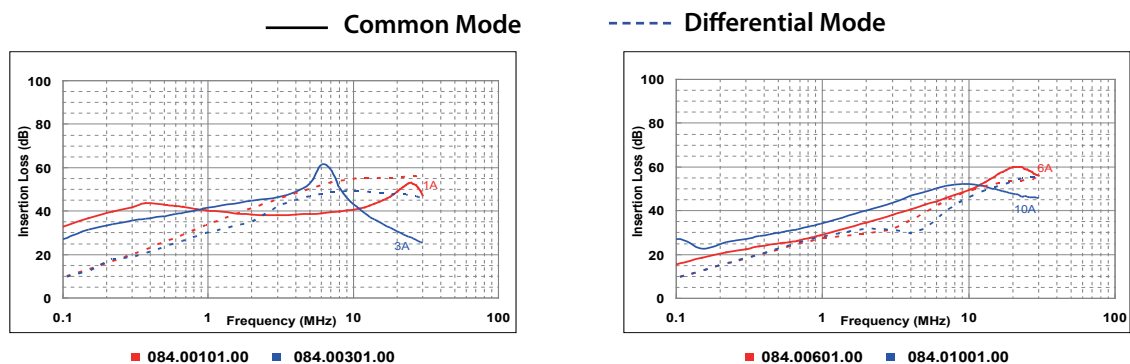
### LCR 084 Mechanical Outlines



### LCR 084 Mechanical Dimensions (mm)

Model No.	A	B	C	D	E	F	G	H	R	S	T	U	r
084.00101.00	43.7	60.6	32	72	61	82	2* $\Phi$ 4.0	8.8	2.5	61	30.0	72	2.1
084.00301.00	43.7	60.6	32	72	61	82	2* $\Phi$ 4.0	8.8	2.5	61	30.0	72	2.1
084.00302.00	46.0	53.0	29	40	61	55	2* $\Phi$ 3.2	8.5	2.5	56	29.5	40	1.6
084.00601.00	43.7	60.6	32	72	61	82	2* $\Phi$ 4.0	8.8	2.5	61	30.0	72	2.1
084.01001.00	43.7	60.6	32	72	61	82	2* $\Phi$ 4.0	8.8	2.5	61	30.0	72	2.1

### LCR 084 Insertion Loss in dB Measured in a 50 $\Omega$ System



Specifications are subject to change. Consult factory to verify specifications.

For more information on our filter products call us at: (800) 527-4362 or (714) 289-0055  
 LCR, Radius Power, and Filter Concepts are now part of Astrodyne TDI