

LCR 095/02

High Ambient, High Surge Washing Machine and White Goods Filters



Features

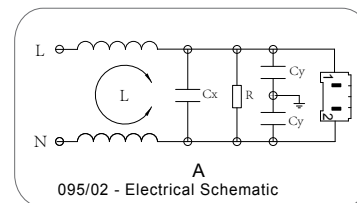
VDE approved per EN60939-2 and UL approved per UL1283, design to operate in 70°C ambient, small and compact EMI filters.

Unique capacitor combination provides higher safety/surge performances and better EMI performances in a very economical solution with standard RAST 5 connection.

Typical Applications

Washing machine, refrigerator, air conditioner and other appliances.

Electrical Schematic



Specifications

Rated Voltage Max. (V)	120/250 VAC
Rated Current (A)	4-16 A @ 70°C
Frequency (Hz)	50/60 Hz
Hipot Rating	
Line to Line	1450 VDC
Line to Ground	2250 VDC
Surge per EN61000-4-5	3 KV/5 KV
Case	Modified Plastic
Climatic Category (EN60068-1)	25/100/21

Leakage Current	
@ 250 VAC 50 Hz	0.89/2.08 mA Max.
@ 120 VAC 60 Hz	0.49/1.15 mA Max.
IP Class	IP68
Flammability	UL 94 V-0
GWFI (EN 60695-2-12)	> 850°C
GWIT (EN 60695-2-13)	> 750°C
CTI (EN 60112)	> 250 V
BPT (EN 60695-10-2)	> 125°C

Specifications are subject to change. Consult factory to verify specifications.

For more information on our filter products call us at: (800) 527-4362 or (714) 289-0055
LCR, Radius Power, and Filter Concepts are now part of Astrodyne TDI

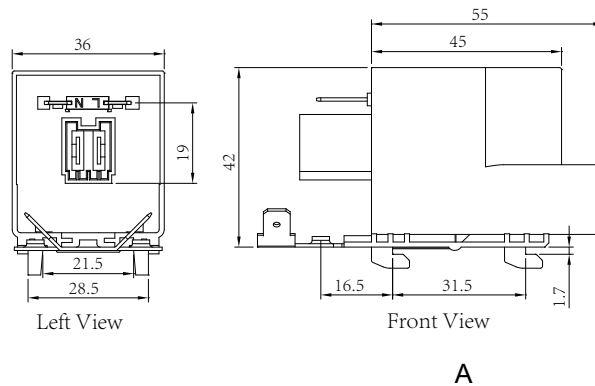
LCR 095/02

High Ambient, High Surge Washing Machine and White Goods Filters



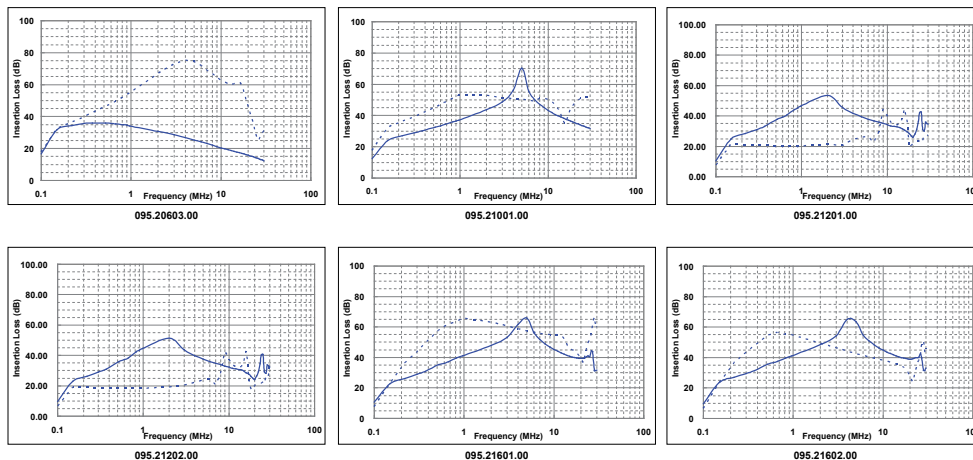
Model No.	Rated Current (A) @ 70°C	L (mH)	Cx (uF)	Cy (nF)	R (Ω)	Schematic	Unit Weight (g)	Terminal Options	
								In	Out
095.20603.00	6	1.8	1.0	NA	470 K	A	120	QD 6.35*0.8	QD 6.35*0.8
095.21001.00	10	2.0	1.0	2.2	470 K	A	120	QD 6.35*0.8	QD 6.35*0.8
095.21201.00	12	1.0	0.68	22.0	470 K	A	120	QD 6.35*0.8	QD 6.35*0.8
095.21202.00	12	0.5	0.47	22.0	470 K	A	120	QD 6.35*0.8	QD 6.35*0.8
095.21601.00	16	3.0	1.0	2.2	470 K	A	120	QD 6.35*0.8	QD 6.35*0.8
095.21603.00	16	3.0	1.0	2.2	330 K	A	120	QD 6.35*0.8	QD 6.35*0.8
095.21615.00	16	1.0	0.47	4.7	680 K	A	120	QD 6.35*0.8	QD 6.35*0.8
095.21624.00	16	1.0	0.47	22.0	680 K	A	120	QD 6.35*0.8	QD 6.35*0.8

LCR 095/02 Mechanical Outlines



LCR 095/02 Insertion Loss in dB Measured in a 50 Ω System

— Common Mode - - - - Differential Mode



Specifications are subject to change. Consult factory to verify specifications.

For more information on our filter products call us at: (800) 527-4362 or (714) 289-0055

LCR, Radius Power, and Filter Concepts are now part of Astrodyne TDI