

RP105 Series

Compact Single Stage Power Line Filter

RP105 COMPACT TO 20A CHASSIS MOUNT FILTER

ROHS COMPLIANT



SPECIFICATIONS

Operating Freq.	: 50/60Hz
Usable Freq.	: DC - 400Hz
Max. Operating Voltage	: 250V +10%
Ambient Temperature	: -25 to 40C
Climatic Category	: 25/100/21
Hipot Rating (L-G)	: 2700VDC
Terminals (-T)	: QD: 0.25 Tabs
Safety Approvals	: cURus, EN60939
Typ. Weight, LBS (KG)	: 0.3 (0.1)

LEAKAGE CURRENT

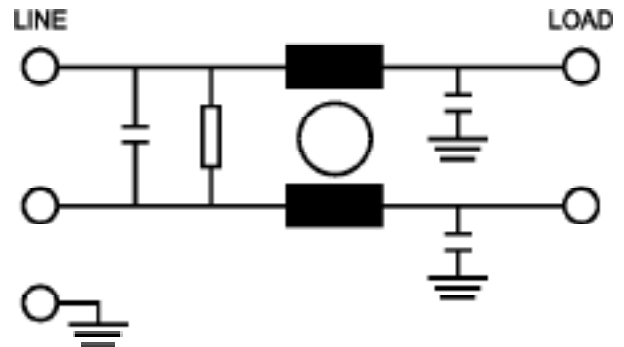
Y-cap, nF	mA, 120V/60Hz	mA, 250V/60Hz
0	0	0
.47	0.04	0.08
1	0.09	0.18
2.2	0.2	0.4
4.7	0.4	0.8
10	0.9	1.8

PART NUMBER/ ORDERING

RP105	-X Amps	-Y (Ycap, nF)	-T
	3	0	QD
	6	.47	
	10	1	
	16	2.2	
	20	4.7	
		10	

Note: Use any combination of -Y with any -X (Amps) rating
e.g. RP105-10-4.7-QD (10 Amps with 4.7nF Ycap)

SCHEMATIC



RP105

Typical Insertion Loss, dB (50/50ohm)

Mechanical Dimensions

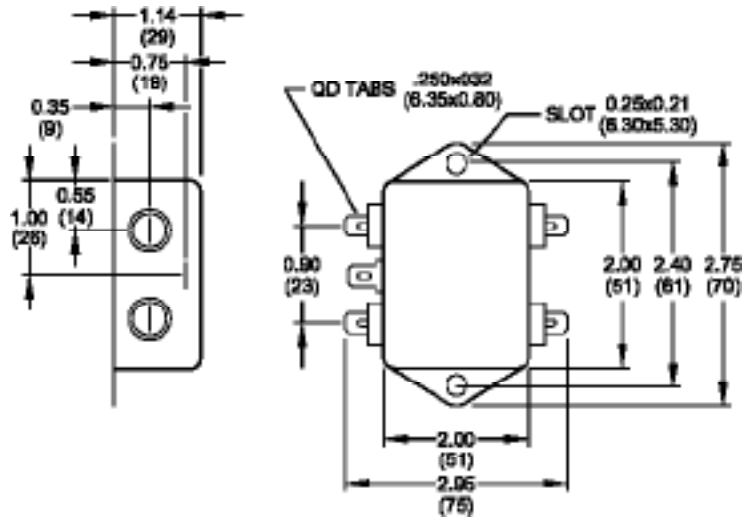
3 Amp					
FREQ (MHz)	.15	.5	1.0	10	30
CM(dB)	38	50	50	50	54
DM(dB)	20	36	60	65	55

6 Amp					
FREQ (MHz)	.15	.5	1.0	10	30
CM(dB)	34	44	54	50	44
DM(dB)	20	32	46	65	70

10 Amp					
FREQ (MHz)	.15	.5	1.0	10	30
CM(dB)	26	36	44	58	64
DM(dB)	20	32	44	60	70

16 Amp					
FREQ (MHz)	.15	.5	1.0	10	30
CM(dB)	20	32	39	55	55
DM(dB)	20	32	40	58	70

20 Amp					
FREQ (MHz)	.15	.5	1.0	10	30
CM(dB)	14	22	30	50	58
DM(dB)	20	32	40	54	70



TYPICAL TOLERANCE: +/-0.02 (0.50)

Reference purposes only.
Specifications are subject to change.
Consult factory to verify specifications.