

RP120 Series

Medium - High Performance Single Stage Power Line Filter

RP120 HIGH PERFORMANCE TO 50A CHASSIS MOUNT FILTER

ROHS COMPLIANT



SPECIFICATIONS

Operating Freq.	: 50/60Hz
Usable Freq.	: DC - 400Hz
Max. Operating Voltage	: 250V +10% 277V +/-10% (cURus)
Ambient Temperature	: -25 to 40C
Climatic Category	: 25/100/21
Hipot Rating (L-G)	: 2700VDC
Terminals (-T)	: QD: 0.25 Tab (10-20A) S: 30/40A (M4) 50A (M5)
Safety Approvals	: cURus, EN60939

LEAKAGE CURRENT

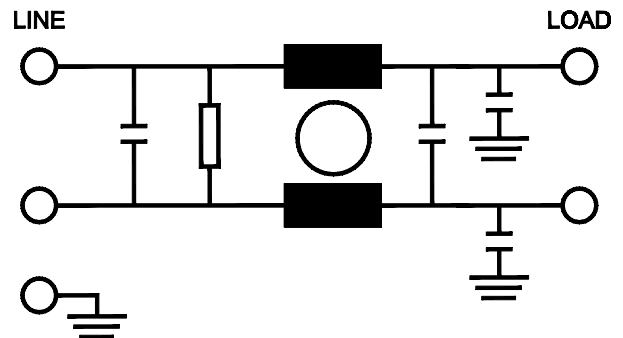
Y-cap, nF	mA, 120V/60Hz	mA, 250V/60Hz
0	0	0
.47	0.04	0.08
1	0.09	0.18
2.2	0.2	0.4
4.7	0.4	0.8
10	0.9	1.8
22	2	4
100	9	18

PART NUMBER/ ORDERING

RP120	-X (Amps)	-Y (Ycap, nF)	-T	Weight LBS (KG) Typ.
	10	0	QD	0.4 (0.2)
	16	.47		0.4 (0.2)
	20	1		0.4 (0.2)
	30	2.2	S	1.0 (0.5)
	40	4.7		1.0 (0.5)
	50	10		1.0 (0.5)
		22		
		100		

Note: Use any combination of -Y with any -X (Amps) rating
e.g. RP120-16-22-QD (16 Amps with 22nF Ycap)

SCHEMATIC



RP120

Typical Insertion Loss, dB (50/50ohm)

Mechanical Dimensions

10 Amp					
FREQ (MHz)	.15	.5	1.0	10	30
CM(dB)	40	55	65	65	60
DM(dB)	50	70	70	75	70

16 Amp					
FREQ (MHz)	.15	.5	1.0	10	30
CM(dB)	34	50	60	60	55
DM(dB)	44	70	70	68	64

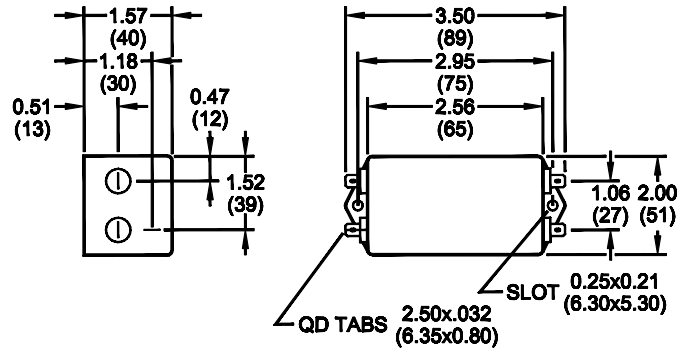
20 Amp					
FREQ (MHz)	.15	.5	1.0	10	30
CM(dB)	20	28	34	55	60
DM(dB)	34	60	60	60	60

30 Amp					
FREQ (MHz)	.15	.5	1.0	10	30
CM(dB)	15	34	30	55	55
DM(dB)	30	65	65	60	60

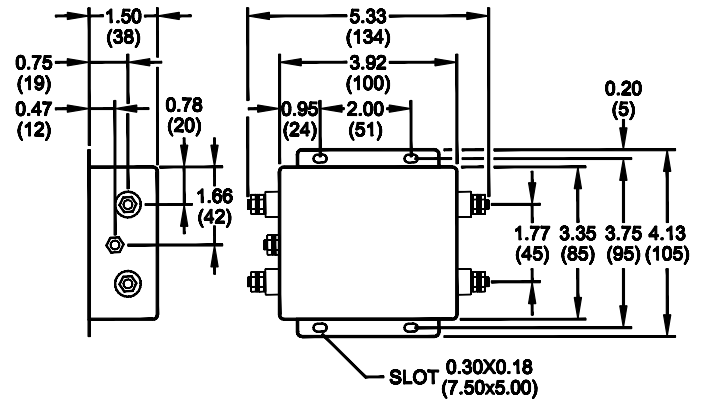
40 Amp					
FREQ (MHz)	.15	.5	1.0	10	30
CM(dB)	15	24	30	55	55
DM(dB)	30	65	65	60	60

50 Amp					
FREQ (MHz)	.15	.5	1.0	10	30
CM(dB)	24	32	50	60	55
DM(dB)	40	65	65	60	60

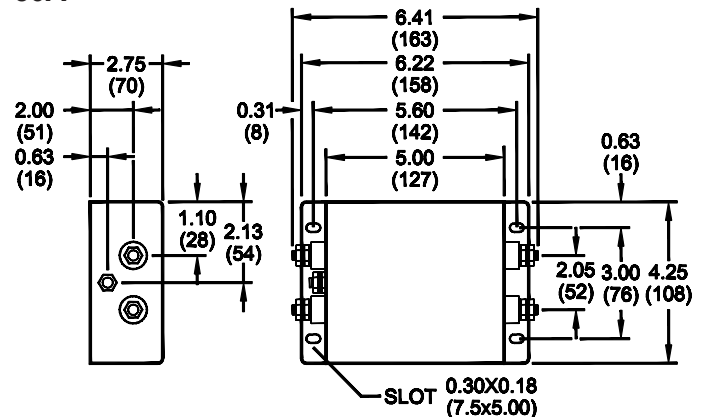
10/16/20A



30/40A



50A



TYPICAL TOLERANCE: +/-0.02 (0.50)

Reference purposes only.
 Specifications are subject to change.
 Consult factory to verify specifications.