

## RP210 Series

## Compact Dual Stage Power Line Filter

### RP210 DUAL STAGE TO 16A CHASSIS MOUNT FILTER

ROHS COMPLIANT



#### SPECIFICATIONS

Operating Freq.	: 50/60Hz
Usable Freq.	: DC - 400Hz
Max. Operating Voltage	: 250V +10%
Ambient Temperature	: -25 to 40C
Climatic Category	: 25/100/21
Hipot Rating (L-G)	: 2700VDC
Terminals (-T)	: QD: 0.25 Tab
Safety Approvals	: cURus, EN60939

#### LEAKAGE CURRENT

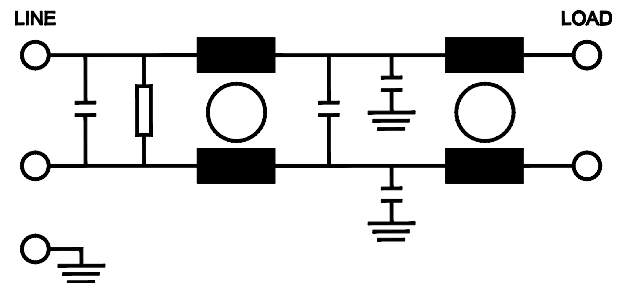
Y-cap, nF	mA, 120V/60Hz	mA, 250V/60Hz
0	0	0
.47	0.04	0.08
1	0.09	0.18
2.2	0.2	0.4
4.7	0.4	0.8
10	0.9	1.8

#### PART NUMBER/ ORDERING

RP210	-X (Amps)	-Y (Ycap, nF)	-T	Weight LBS (KG) Typ.
	3	0	QD	0.4 (0.2)
	6	.47		0.4 (0.2)
	10	1		0.4 (0.2)
	16	2.2		0.5 (0.2)
		4.7		
		10		

**Note:** Use any combination of -Y with any -X (Amps) rating  
e.g. RP210-6-4.7-QD (6Amps with 4.7nF Ycap)

#### SCHEMATIC



## RP210

### Typical Insertion Loss, dB (50/50ohm)

### Mechanical Dimensions

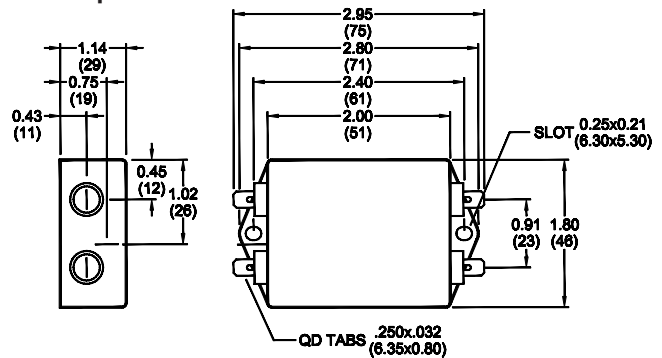
3 Amp					
FREQ (MHz)	.15	.5	1.0	10	30
CM(dB)	40	50	50	45	40
DM(dB)	15	26	45	50	50

6 Amp					
FREQ (MHz)	.15	.5	1.0	10	30
CM(dB)	30	42	50	55	35
DM(dB)	18	30	40	55	50

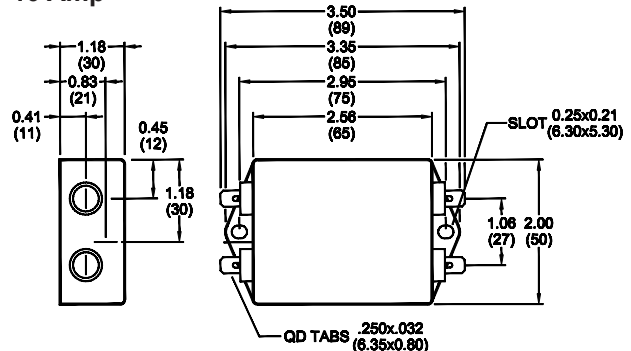
10 Amp					
FREQ (MHz)	.15	.5	1.0	10	30
CM(dB)	20	30	36	55	40
DM(dB)	15	26	32	55	40

16 Amp					
FREQ (MHz)	.15	.5	1.0	10	30
CM(dB)	18	25	40	55	45
DM(dB)	15	25	40	65	50

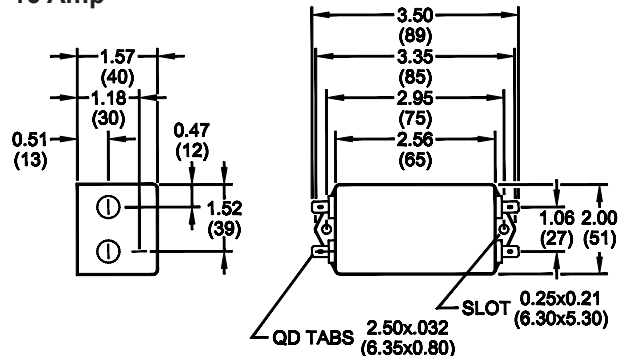
#### 3/6 Amp



#### 10 Amp



#### 16 Amp



TYPICAL TOLERANCE: +/-0.02 (0.50)

Reference purposes only.  
Specifications are subject to change.  
Consult factory to verify specifications.