

RP500 Series

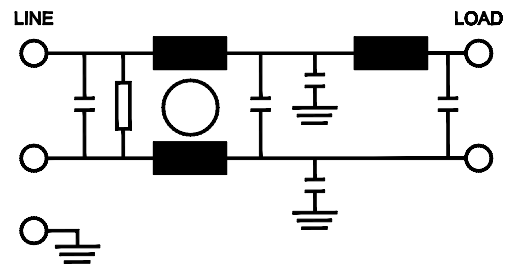
EMI/Harmonics Dual Stage Power Line Filters



10 A Chassis Mount Filter

Specifications

Operating Frequency	50/60 Hz
Usable Frequency	DC - 400 Hz
Max. Operating Voltage	250 V +10%
Rated Current	10 A
Ambient Temperature	-25 to 40°C
Climatic Category	25/100/21
Hipot Rating (L-G)	2700 VDC
Terminals (-T)	QD: 0.25 Tabs
Safety Approvals	CSA, EN60939
Typ. Weight, lbs (kg)	3.1 (1.4)



Part Number/Ordering

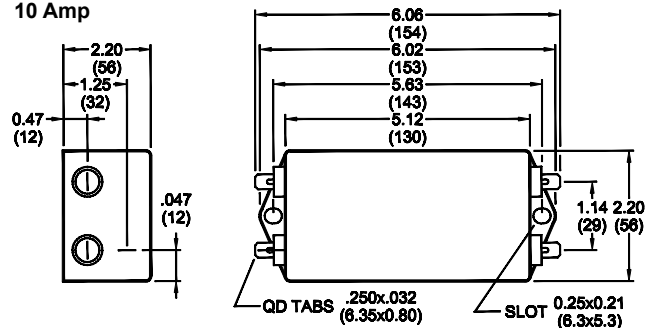
RP500	-X (Amps)	-Y (Ycap, nF)	-T
	10	0	QD
		0.47	
		1	
		2.2	
		4.7	
		10	

Note: Use any combination of -Y with any -X (Amps) rating
e.g. RP500-10-10-QD (6 Amps with 10 nF Ycap)

Mechanical Dimensions

TYPICAL TOLERANCE: +/-0.02" (0.50 mm)

10 Amp



Typical Insertion Loss, dB (50/50 Ohm)

Freq (MHz)	0.15	0.5	1.0	10	30
10 Amp					
CM(dB)	24	46	50	60	60
DM(dB)	25	40	60	65	65

Leakage Current

Y-cap, nF	mA, 120 V/60 Hz	mA, 250 V/60 Hz
0	0.0	0.0
0.47	0.04	0.08
1	0.09	0.18
2.2	0.2	0.4
4.7	0.4	0.8
10	0.9	1.8

Specifications are subject to change. Consult factory to verify specifications.

For more information on our filter products call us at: (800) 527-4362 or (714) 289-0055
LCR, Radius Power, and Filter Concepts are now part of Astrodyne TDI