

## RP615 Series

## High Performance Dual Stage DC Power Line Filter

### RP615 HIGH PERFORMANCE TO 20A DC FILTER

ROHS COMPLIANT



#### SPECIFICATIONS

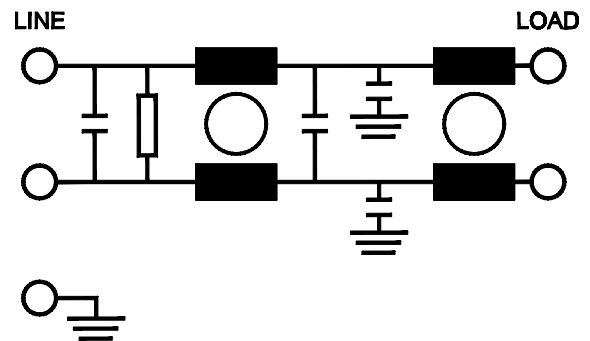
Max. Operating Voltage	: 250VDC
Ambient Temperature	: -25 to 55C
Climatic Category	: 25/100/21
Hipot Rating (L-G)	: 1800VDC
Terminals (-T)	: QD: 0.25 Tabs
Typ. Weight, LBS (KG)	: 0.8 (0.4)

#### PART NUMBER/ ORDERING

RP615	-X (Amps)	-Y (Ycap, nF)	-T
	3	10	QD
	6	100	
	10	1000	
	20		

**Note:** Use any combination of -Y with any -X (Amps) rating  
e.g. RP615-20-10-QD (20 Amps with 10nF Y-cap)

#### SCHEMATIC



## RP615

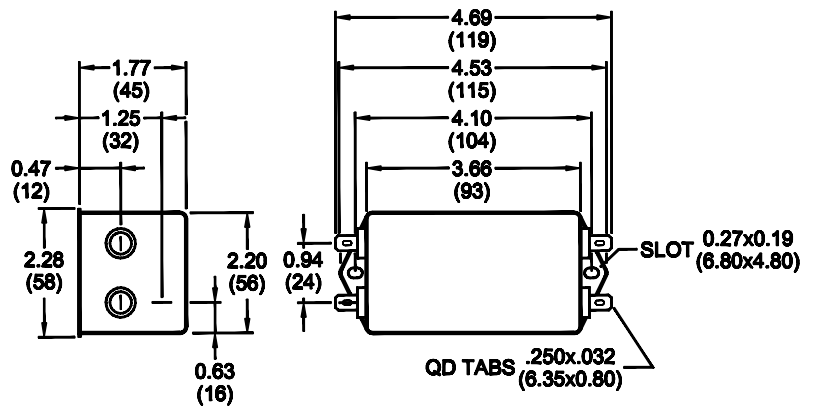
### Typical Insertion Loss, dB (50/50ohm) Mechanical Dimensions

3 Amp					
FREQ (MHz)	.15	.5	1	10	30
CM (dB)	60	70	70	52	50
DM (dB)	50	60	68	60	60

6 Amp					
FREQ (MHz)	.15	.5	1	10	30
CM (dB)	60	70	70	52	50
DM (dB)	50	60	68	60	60

10 Amp					
FREQ (MHz)	.15	.5	1	10	30
CM (dB)	55	70	70	50	50
DM (dB)	45	60	60	70	65

20 Amp					
FREQ (MHz)	.15	.5	1	10	30
CM (dB)	40	65	70	52	40
DM (dB)	34	58	60	65	60



TYPICAL TOLERANCE: +/-0.02 (0.50)