

RP650 Series

High Performance Single Line Single Stage DC Power Line Filters



3 A to 20 A

Specifications

Max. Operating Voltage	250 VDC
Ambient Temperature	-25 to 55°C
Climatic Category	25/100/21
Hipot Rating (L-G)	1800 VDC
Terminals (-T)	QD: 0.25 Tabs
Typ. Weight, lbs (kg)	0.7 (0.3)

Part Number/Ordering

RP615	-X (Amps)	-Y (Ycap, nF)	-T
	3	10	QD
	6	100	
	10	1000	
	20		

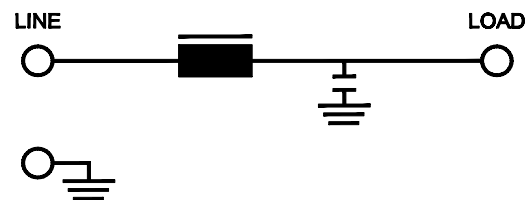
Note: Use any combination of -Y with any -X (Amps) rating
e.g. RP650-20-10-QD (20 Amps with 10 nF Y-cap)

Typical Insertion Loss, dB (50/50 Ohm)

Freq (MHz)	0.15	0.5	1.0	10	30
3 Amp					
dB	20	40	60	60	40
6 Amp					
dB	15	35	55	55	38
10 Amp					
dB	10	30	50	50	35
20 Amp					
dB	8	25	35	35	25

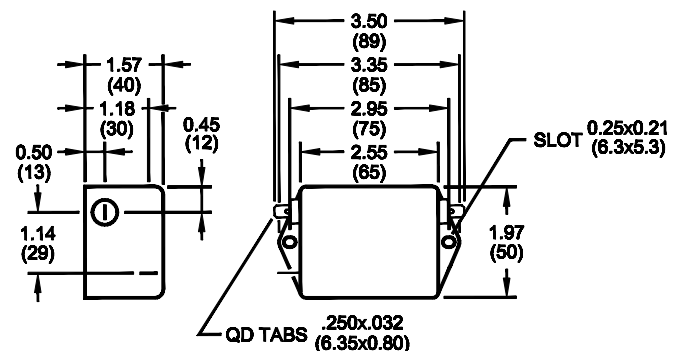


Electrical Schematic



Mechanical Dimensions

TYPICAL TOLERANCE: +/-0.02" (0.50 mm)



Specifications are subject to change. Consult factory to verify specifications.

For more information on our filter products call us at: (800) 527-4362 or (714) 289-0055
LCR, Radius Power, and Filter Concepts are now part of Astrodyne TDI