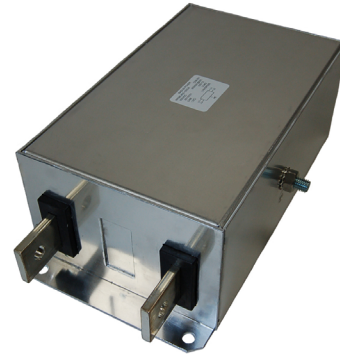


## RP680 Series

## Compact High Current DC EMI Power Line Filter

**RP680**  
**600VDC WITH BUSBARS**  
**250A - 1000A**

**ROHS COMPLIANT**



### SPECIFICATIONS

Max. Operating Voltage	: 600VDC
Ambient Temperature	: -25 to 55C
Climatic Category	: 25/100/21
Hipot Rating (L-G)	: 3500VDC
Terminals (-T)	: B: 250A (3x20) 320/400A (6x25) 600A (8x25) 800/1000A (8x40)
Safety Approvals	: cURus, EN60939 (PENDING)

### TYPICAL INSERTION LOSS, dB (50/50ohm)

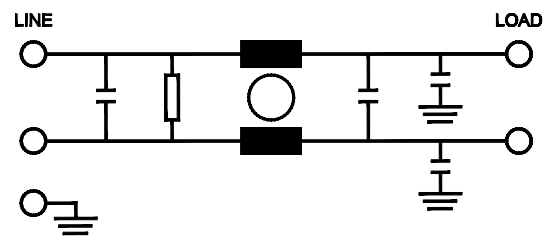
FREQ (MHz)	.15	.5	1.0	10	30
CM(dB)	66	66	66	40	24
DM(dB)	40	60	45	30	28

### PART NUMBER/ ORDERING

RP680	-X (Amps)	-Y (Ycap, nF)	-T	Weight LBS (KG) Typ.
	250	100	B	20.0 (9.1)
	320	1000		20.0 (9.1)
	400	2000		20.0 (9.1)
	600			20.0 (9.1)
	800			25.0 (11.3)
	1000			25.0 (11.3)

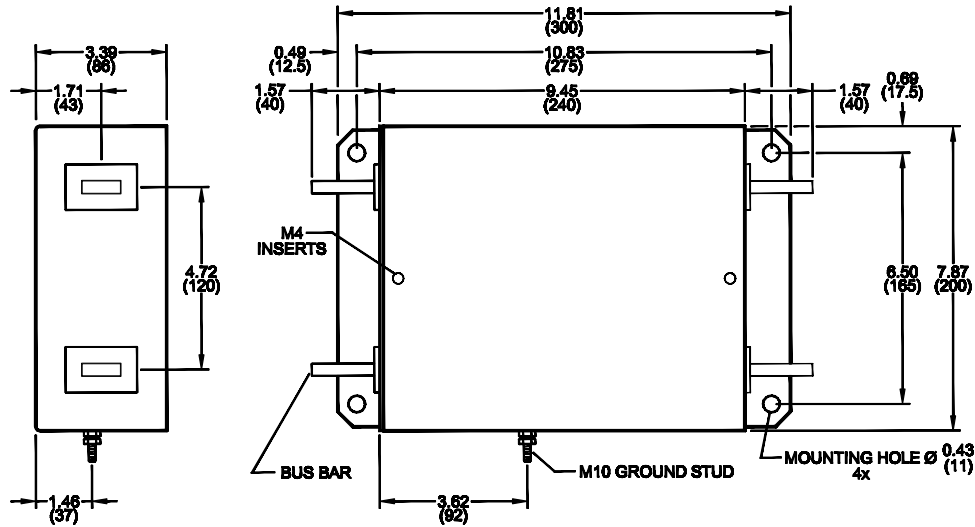
**Note:** Use any combination of -Y with any -X (Amps) rating  
 e.g. RP680-600-100-B (600 Amps with 100nF Ycap)

### SCHEMATIC



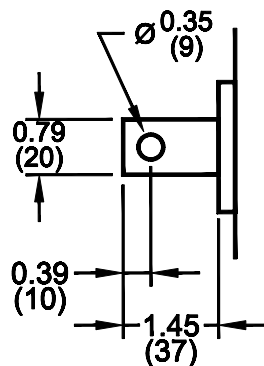
## RP680 Series Mechanical Dimensions

### 250/320/400/600 Amp



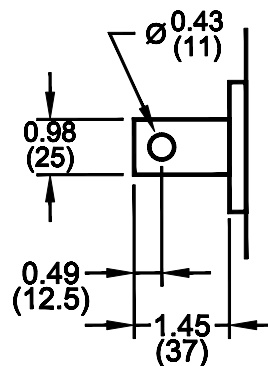
TYPICAL TOLERANCE: +/-0.02 (0.50)

### 250 Amp Busbar Detail



250A Busbar: (3x20)

### 400/600 Amp Busbar Detail

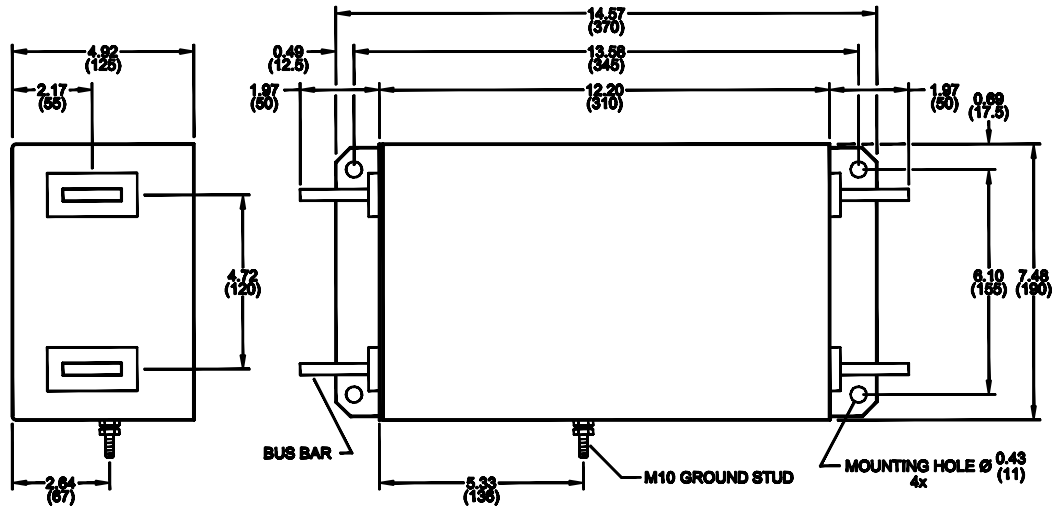


320/400A Busbar: (6x25)  
600A Busbar: (8x25)

Reference purposes only.  
Specifications are subject to change.  
Consult factory to verify specifications.

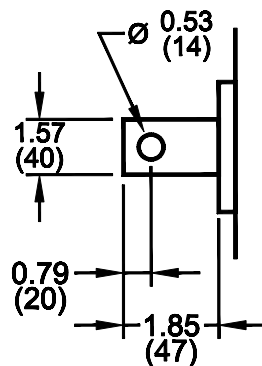
## RP680 Series Mechanical Dimensions

### 800/1000 Amp



TYPICAL TOLERANCE: +/-0.02 (0.50)

### 800/1000 Amp Busbar Detail



Reference purposes only.  
Specifications are subject to change.  
Consult factory to verify specifications.