

# RPC1299-30

## Dual Stage PCB DC Power Line Filter



High Current/High Performance Compact PCB DC Filter for  
-48 VDC Telecom/DC-DC Converters and Related Applications



### Specifications

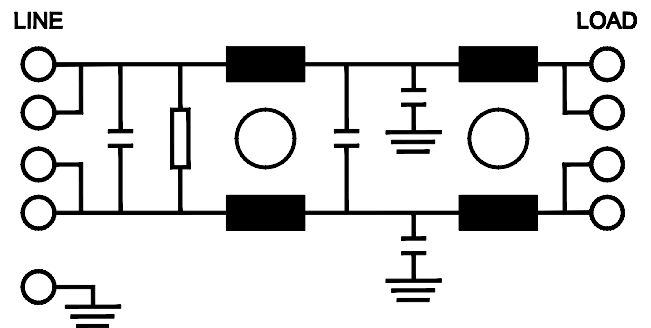
Operating Frequency	DC
Max. Operating Voltage	75 VDC
Operating Current	30 ADC
Case Temperature	-40 to 100°C
Storage Temperature	-55 to 125°C
DC Resistance/Line	1.25 mohm Typ
Hipot Rating (L-G)	2500 VDC
Safety Approvals	cURus (6950), EN60950
Typ. Weight, lbs (kg)	0.2 (0.1)

Note: Not recommended for high pressure cleaning environments.

### Typical Insertion Loss, dB (50/50 Ohm)

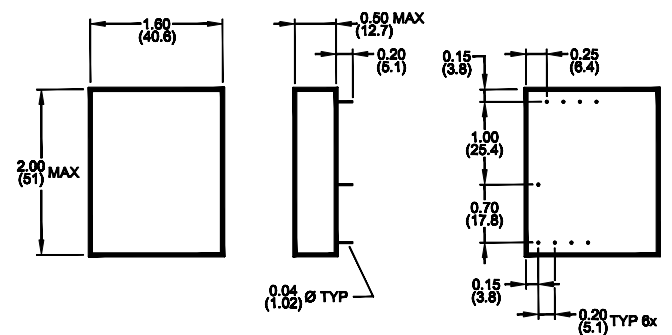
Freq (MHz)	0.15	0.5	1.0	10	30
CM(dB)	12	30	42	55	45
DM(dB)	10	32	44	50	60

### Electrical Schematic



### Mechanical Dimensions

TYPICAL TOLERANCE: +/-0.02" (0.50 mm)



Specifications are subject to change. Consult factory to verify specifications.

For more information on our filter products call us at: (800) 527-4362 or (714) 289-0055  
LCR, Radius Power, and Filter Concepts are now part of Astrodyne TDI