

RPTC2001-225

TEMPEST/COTS AC 3PH WYE EMI Power Line Filter

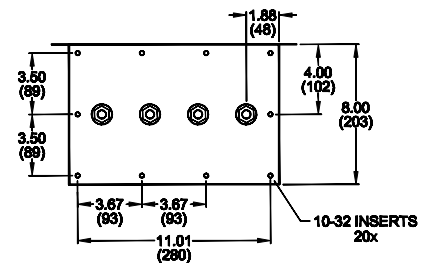
**RPTC2001-225
TEMPEST/ COTS
3 PHASE, 225A, 480V
100dB
14K - 10GHz**



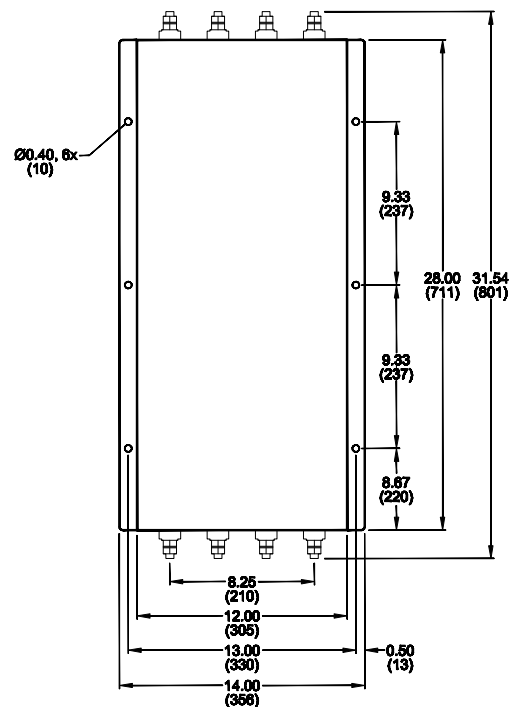
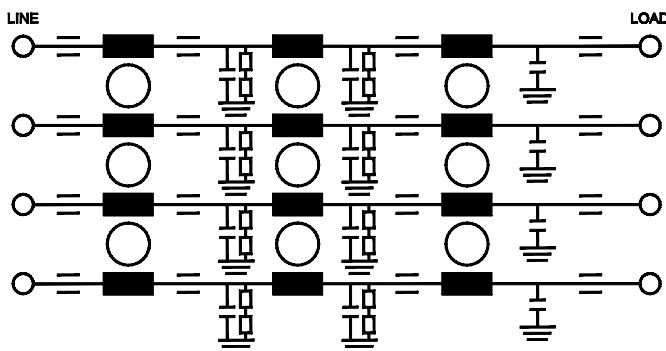
SPECIFICATIONS

Operating Freq.	: 47-63Hz
Max. Operating Voltage	: 480VAC
Ambient Temperature	: -40 to 70C
Hipot Rating (L-G)	: 1500VDC
Terminals (-T)	: S: 1/2-13
Applications	: TEMPEST/Mil-461/ DO-160
Typ. Weight, LBS (KG)	: 150.00 (68.00)

MECHANICAL



SCHEMATIC



TYPICAL TOLERANCE: +/-0.02 (0.50)

www.radiuspower.com

Reference purposes only.
Specifications are subject to change.
Consult factory to verify specifications.